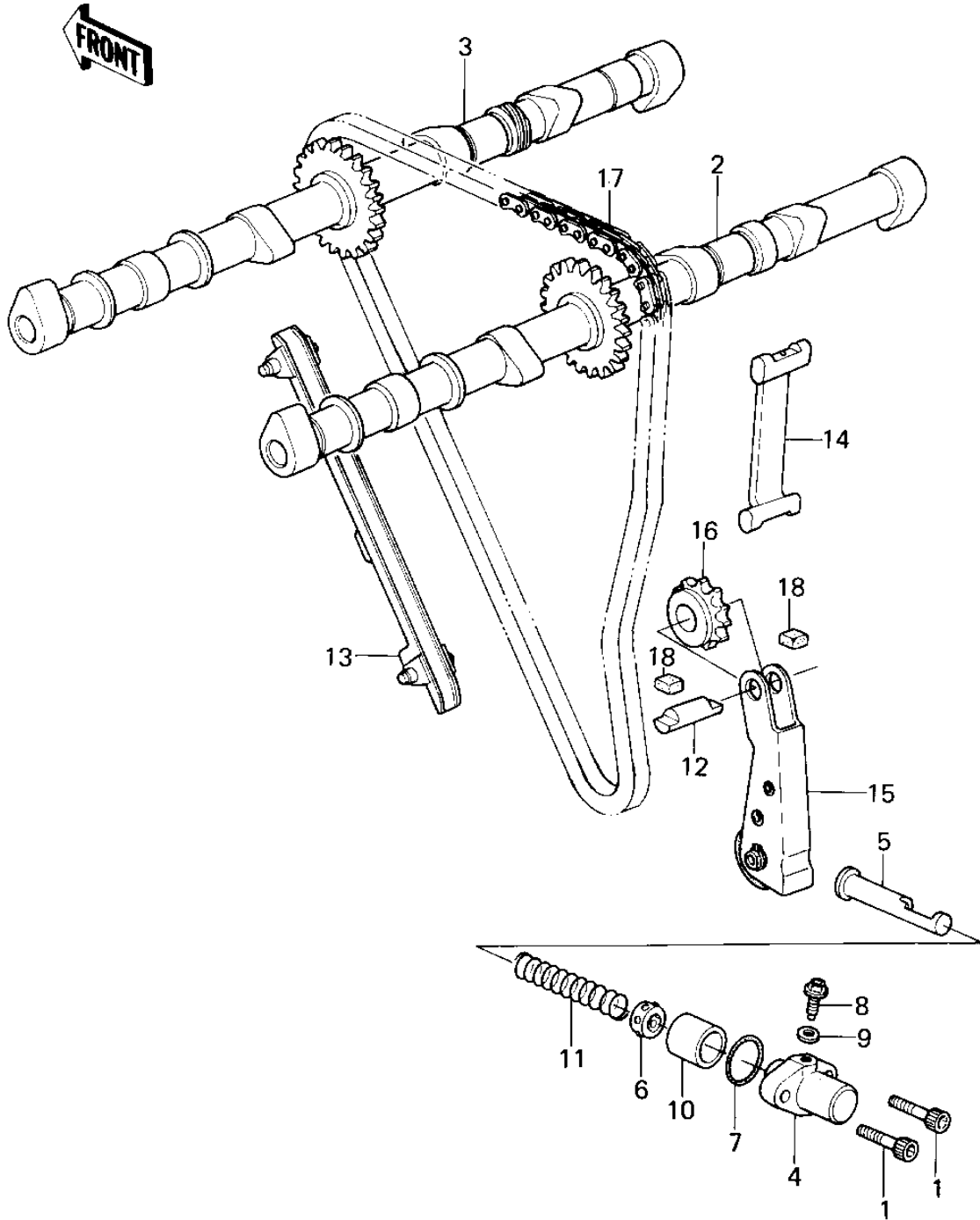


1980 KZ1300-A2 PARTS DIAGRAM

CAMSHAFTS/CHAIN/TENSIONER



1980 KZ1300-A2 PARTS LIST

CAMSHAFTS/CHAIN/TENSIONER

| ITEM NAME | PART NUMBER | QUANTITY |
|----------------------------------|-------------|----------|
| BOLT,6X25 (Ref # 1) | 120P0625 | 1 |
| CAMSHAFT,VALVE,INTAKE (Ref # 2) | 12044-1012 | 1 |
| CAMSHAFT,VALVE,EXHUST (Ref # 3) | 12044-1013 | 1 |
| TENSIONER,CAM CHAIN (Ref # 4) | 12049-1055 | 1 |
| ROD,PUSH (Ref # 5) | 13116-1015 | 1 |
| RETAINER (Ref # 6) | 14020-1002 | 1 |
| "O" RING,22MM (Ref # 7) | 670B2022 | 1 |
| BELT,TENSIONER ADJUST (Ref # 8) | 92001-1155 | 1 |
| WASHER OIL PUMP BANJO (Ref # 9) | 92022-077 | 1 |
| COLLAR,TENSIONER (Ref # 10) | 92027-1273 | 2 |
| SPRING,TENSIONER (Ref # 11) | 92081-1105 | 1 |
| SHAFT,GUIDE ROLLER (Ref # 12) | 12052-005 | 1 |
| GUIDE,CHAIN,CAM,FRONT (Ref # 13) | 12053-1024 | 1 |
| GUIDE,CHAIN,CAM,REAR (Ref # 14) | 12053-1025 | 1 |
| GUIDE,CHAIN,TENSIONER (Ref # 15) | 12053-1028 | 1 |
| SPROCKET,CAM CHAIN (Ref # 16) | 21053-1004 | 1 |
| CHAIN,CAMSHAFT (Ref # 17) | 92057-1018 | 1 |
| RUBBER,GUIDE ROLLAR (Ref # 18) | 92075-232 | 1 |