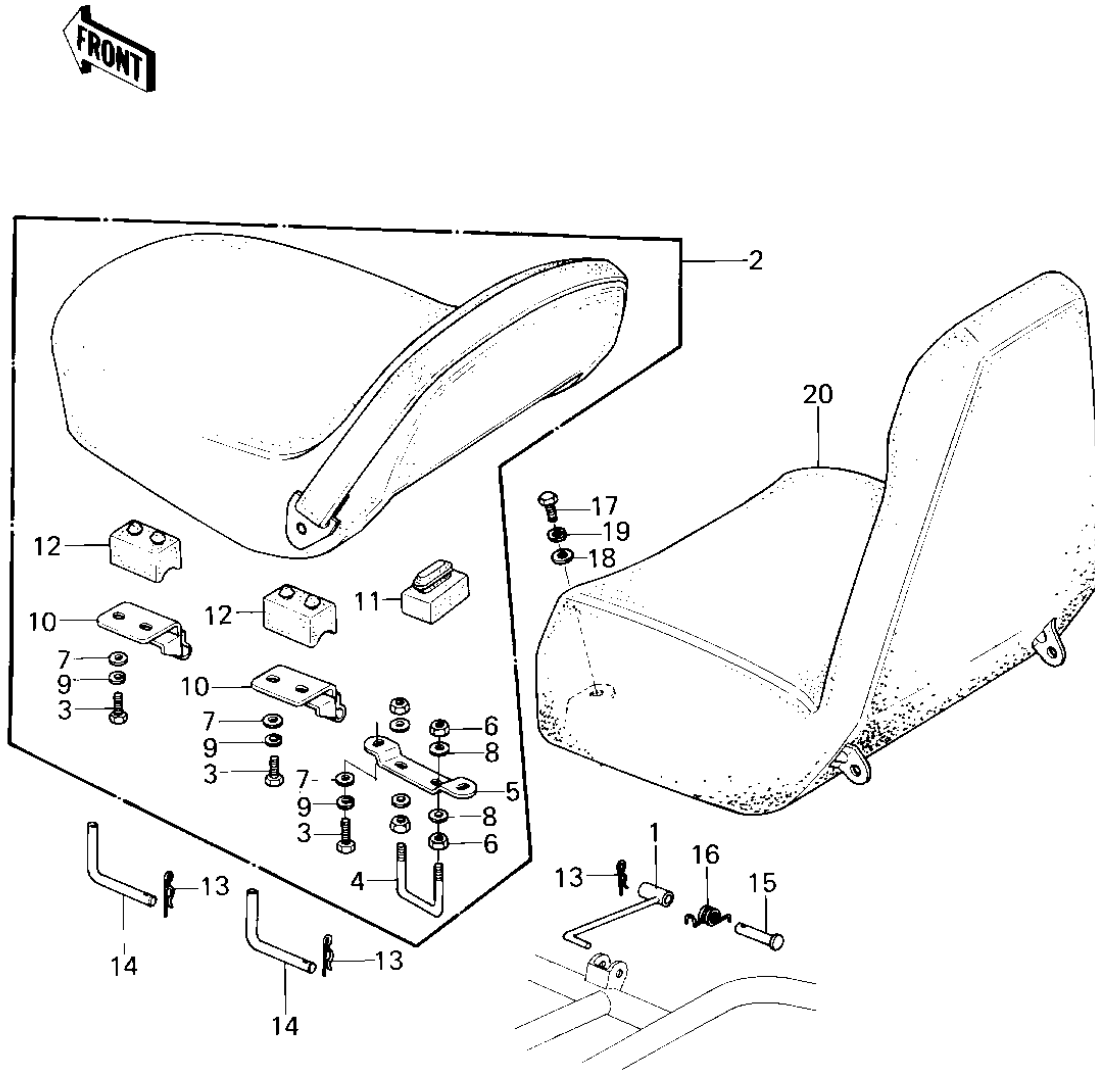


1980 KZ1300-B2 PARTS DIAGRAM

SEATS



1980 KZ1300-B2 PARTS LIST

SEATS

ITEM NAME	PART NUMBER	QUANTITY
STAY,SEAT STAND (Ref # 1)	35011-1018	1
SEAT-ASSY,FRONT (Ref # 2)	53001-1058	1
BOLT-UPSET 6X14 (Ref # 3)	112B0614	6
CATCH, SEAT (Ref # 4)	53056-002	1
BRACKET, SEAT CATCH (Ref # 5)	53058-001	1
NUT 6MM (Ref # 6)	311B0600	4
WASHER PLAIN 6MM (Ref # 7)	411B0600	6
WASHER PLAIN 6MM (Ref # 8)	411B0600	4
WASHER SPRING 6MM (Ref # 9)	461F0600	6
HINGE,SEAT (Ref # 10)	53009-1011	2
DAMPER RUBBER,SEAT (Ref # 11)	92075-216	1
DAMPER RUBBER,SEAT (Ref # 12)	92075-139	2
PIN,SNAP (Ref # 13)	554A0600	3
PIN,SEAT PIVOT (Ref # 14)	92043-1021	2
PIN,SEAT STAND (Ref # 15)	92043-1045	1
SPRING,SEAT STAND (Ref # 16)	92081-1100	1
BOLT-SMALL-UPSET,8X16 (Ref # 17)	115G0816	2
WASHER PLAIN 8MM (Ref # 18)	410B0800	2
WASHER SPRING 8MM (Ref # 19)	461F0800	2
SEAT-ASSY,REAR (Ref # 20)	53001-1059	1