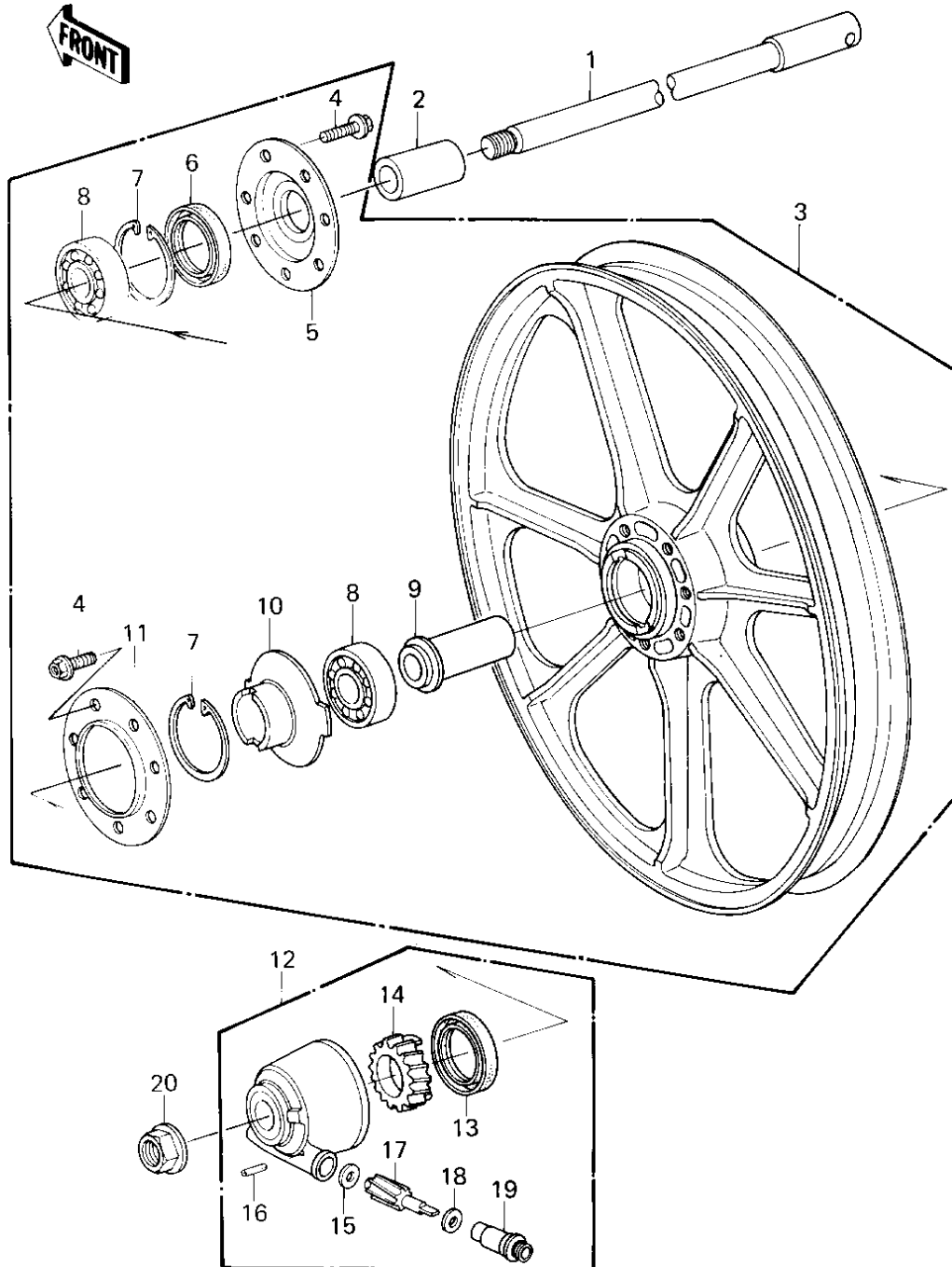


1980 KZ1300-B2 PARTS DIAGRAM

FRONT WHEEL/HUB



1980 KZ1300-B2 PARTS LIST

FRONT WHEEL/HUB

ITEM NAME	PART NUMBER	QUANTITY
AXLE,FRONT (Ref # 1)	41068-1016	1
COLLAR,FRONT AXLE (Ref # 2)	92027-1125	1
SOLID WHEEL ASSY,FRON (Ref # 3)	41073-1023	1
BOLT,8X28 (Ref # 4)	92001-1095	14
DUST COVER,R.H (Ref # 5)	49016-1018	1
OIL SEAL,N0K AE1351EO (Ref # 6)	92049-1008	1
CIRCLIP,47M/M (Ref # 7)	92033-1042	2
BEARING BALL #6303Z (Ref # 8)	601B6303Z	2
COLLAR,FRONT HUB BEAR (Ref # 9)	92027-1123	1
RECEIVER,SPEEDOMETER (Ref # 10)	41064-1003	1
DUST COVER,L.H (Ref # 11)	49016-1017	1
GEAR BOX ASSY (Ref # 12)	41078-1008	1
OIL SEAL,BJN30427-C3 (Ref # 13)	92049-1057	1
GEAR,SPEEDOMETER (Ref # 14)	41059-026	1
WASHER THRST SPD PINI (Ref # 15)	41063-001	1
PIN,SPRING (Ref # 16)	41082-001	1
PINION,SPEEDOMETER (Ref # 17)	41060-1021	1
WASHER THRST SPD PINI (Ref # 18)	41063-001	1
BUSHING,SPEEDOMETER (Ref # 19)	92028-1045	1
NUT,16M/M (Ref # 20)	92015-1041	1