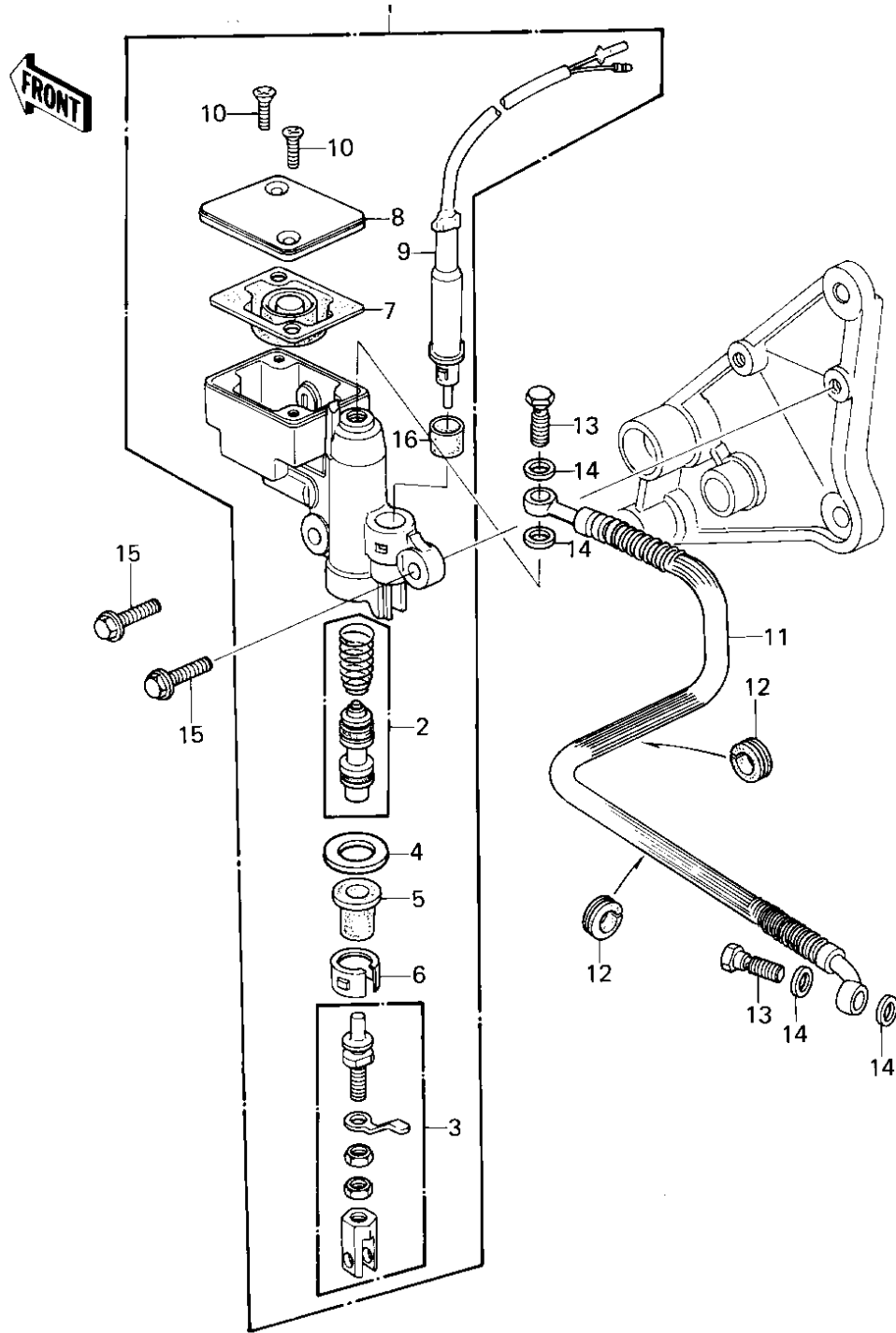


# 1980 KZ1300-B2 PARTS DIAGRAM

## REAR MASTER CYLINDER



# 1980 KZ1300-B2 PARTS LIST

## REAR MASTER CYLINDER

ITEM NAME	PART NUMBER	QUANTITY
CYLINDER ASSY,RR MAST (Ref # 1)	43015-1055	1
PISTON ASSY (Ref # 2)	43020-1018	1
ROD ASSY,BRAKE (Ref # 3)	43010-1001	1
STOPPER,PISTON (Ref # 4)	43022-1002	1
DUST COVER (Ref # 5)	49016-1026	1
STOPPER,DUST COVER (Ref # 6)	43022-1003	1
DIAPHRAGM (Ref # 7)	43028-1007	1
CAP,OIL CUP (Ref # 8)	43026-1013	1
SWITCH,REAR BRAKE (Ref # 9)	27010-1027	1
SCREW,COUNTERSUNK HED (Ref # 10)	92001-1055	2
HOSE-BRAKE,L=620 (Ref # 11)	43059-1177	1
DAMPER RUBBER (Ref # 12)	43064-007	2
BOLT,OIL,L=23 (Ref # 13)	92002-1888	2
WASHER-OIL BOLT (Ref # 14)	43067-001	4
BOLT,8X28 (Ref # 15)	92001-1095	2
BUSHING (Ref # 16)	92092-1007	1