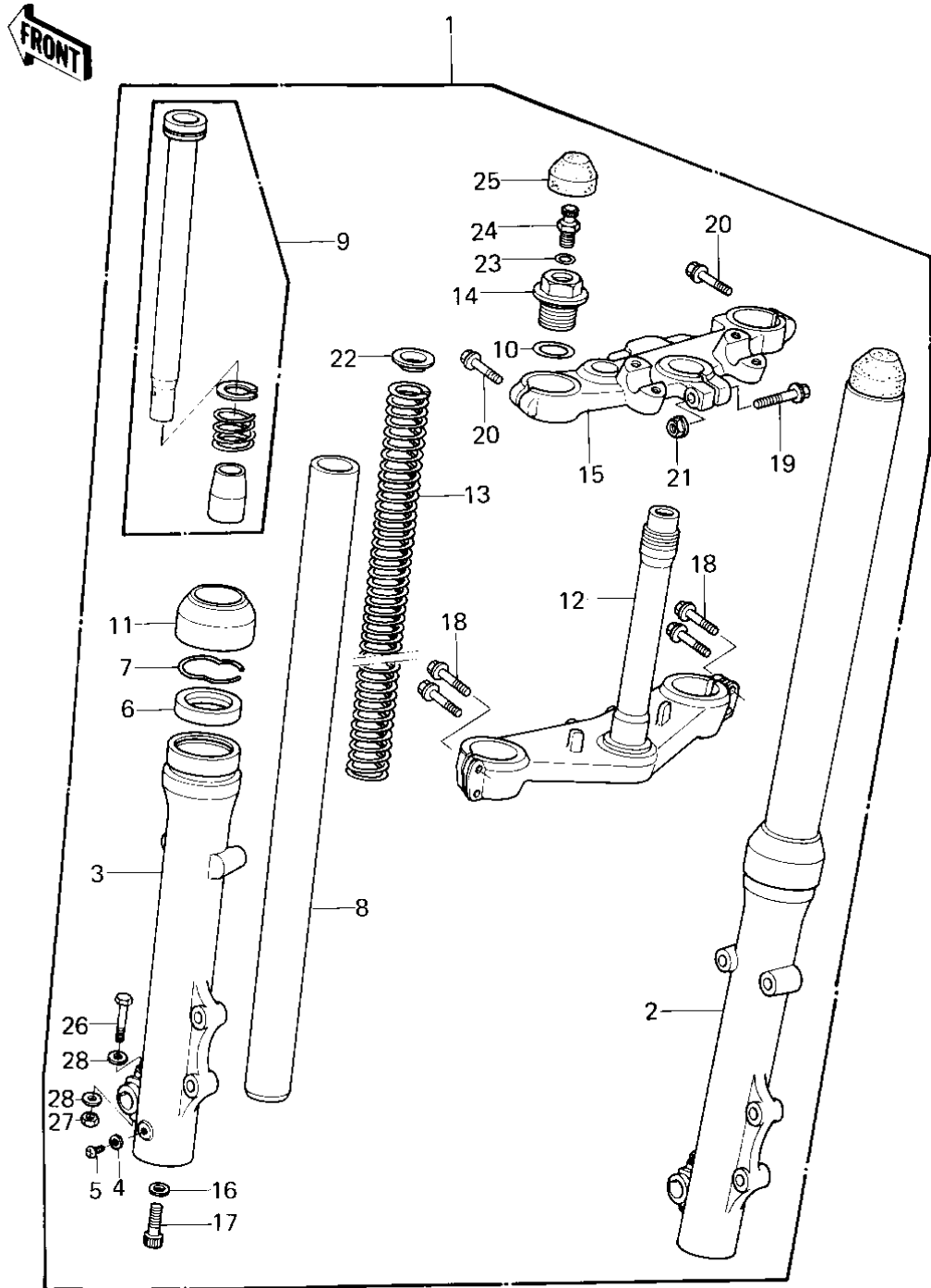


# 1980 KZ1300-B2 PARTS DIAGRAM

## FRONT FORK



# 1980 KZ1300-B2 PARTS LIST

## FRONT FORK

ITEM NAME	PART NUMBER	QUANTITY
FORK-FRONT (Ref # 1)	44001-1213	1
TUBE,RH,FORK OUTER (Ref # 2)	44006-1043	1
TUBE,LH,FORK OUTER (Ref # 3)	44005-1043	1
GASKET FORK DRAIN PLG (Ref # 4)	44045-002	2
SCREW PAN HEAD 4X8 (Ref # 5)	220B0408	2
OIL SEAL (Ref # 6)	92049-1043	2
CIRCLIP (Ref # 7)	92033-1036	2
TUBE,FORK INNER (Ref # 8)	44013-1019	2
CYLINDER-FORK (Ref # 9)	44022-1029	2
"0" RING,FORK TOP CAP (Ref # 10)	92055-1050	2
DUST SHIELD,FORK (Ref # 11)	92093-1023	2
STEM,STEERING (Ref # 12)	44037-1031	1
SPRING,FORK (Ref # 13)	44026-1028	2
CAP,FORK TOP (Ref # 14)	44029-1008	2
HEAD,STEERING STEM (Ref # 15)	44039-1013	1
GASKET,FORK CYLINDER (Ref # 16)	11009-1127	2
BOLT,FORK CYLINDER (Ref # 17)	92001-1186	2
BOLT,FLANGED,8X45 (Ref # 18)	131G0845	4
BOLT,HEX HEAD,8X53 (Ref # 19)	92001-1060	1
BOLT,10X45 (Ref # 20)	92001-1189	2
NUT,8M/M (Ref # 21)	44007-1002	1
GUIDE,FORK SPRING (Ref # 22)	44028-1003	2
"0" RING,AIR VALVE (Ref # 23)	92055-1018	2
VALVE ASSY,AIR (Ref # 24)	16126-1003	2
CAP,RUBBER,FORK TOP (Ref # 25)	44029-1009	2
BOLT,HEX HEAD,8X55 (Ref # 26)	114G0855	2
NUT,LOCK,8MM (Ref # 27)	92015-1124	2
WASHER PLAIN 8MM (Ref # 28)	410B0800	4