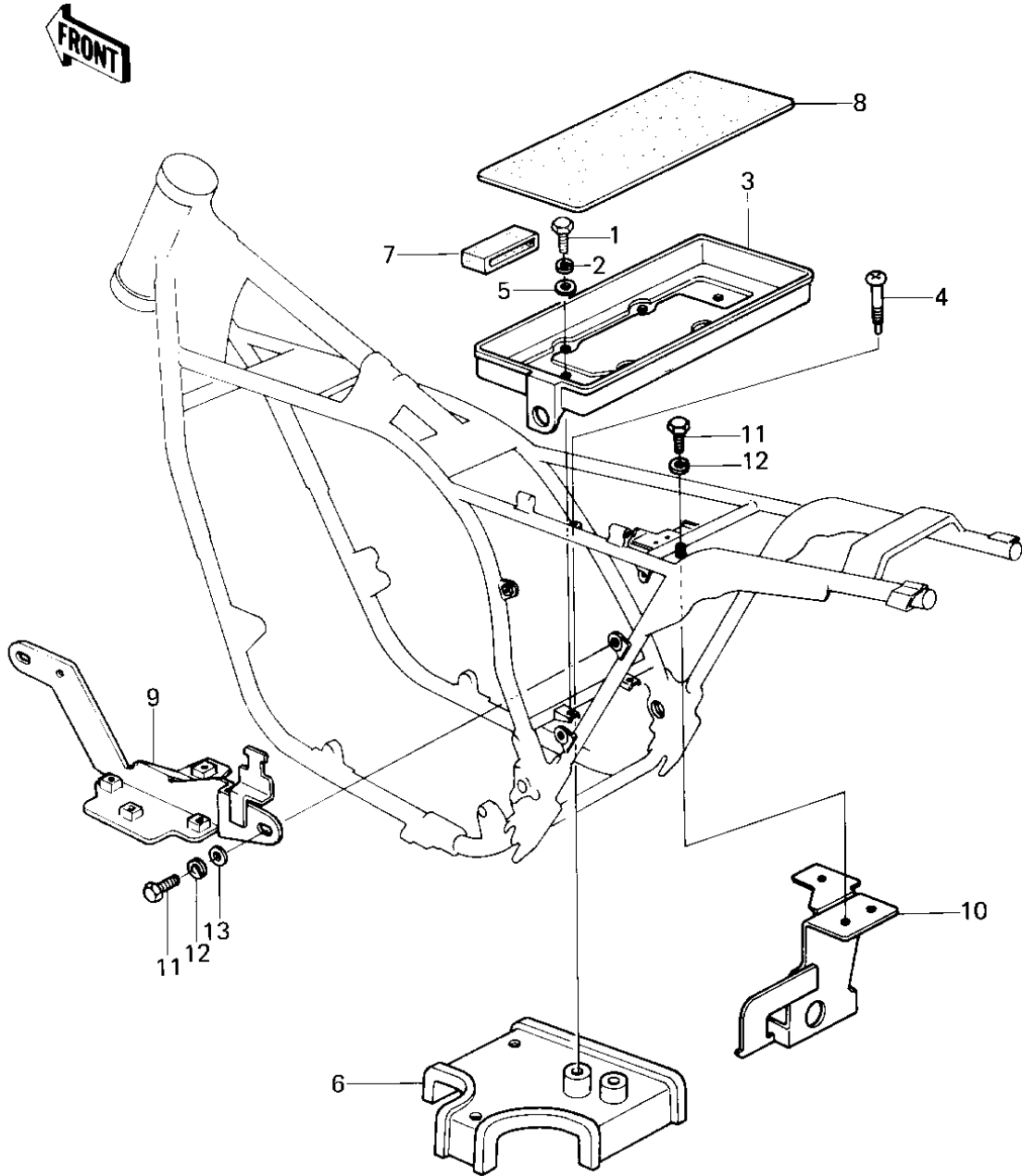


1980 KZ1300-B2 PARTS DIAGRAM

BATTERY CASE/ELECTRO BRACKET



1980 KZ1300-B2 PARTS LIST

BATTERY CASE/ELECTRO BRACKET

ITEM NAME	PART NUMBER	QUANTITY
BOLT-UPSET,6X16 (Ref # 1)	112G0616	2
WASHER SPRING 6MM (Ref # 2)	461F0600	2
CASE,BATTERY (Ref # 3)	32097-1015	1
SCREW,6X38 (Ref # 4)	92009-1042	1
WASHER 6.5X20X1.6T (Ref # 5)	92022-125	2
BAND,BATTERY (Ref # 6)	92072-1021	1
DAMPER,BATTERY (Ref # 7)	92075-1099	1
DAMPER,BATTERY (Ref # 8)	92075-1105	1
BRACKET,ELECTRO BASE (Ref # 9)	11034-1843	1
BRACKET,BASE (Ref # 10)	11034-1316	1
BOLT-UPSET,6X12 (Ref # 11)	112G0612	4
WASHER SPRING 6MM (Ref # 12)	461F0600	4
WASHER PLAIN 6MM (Ref # 13)	411B0600	2