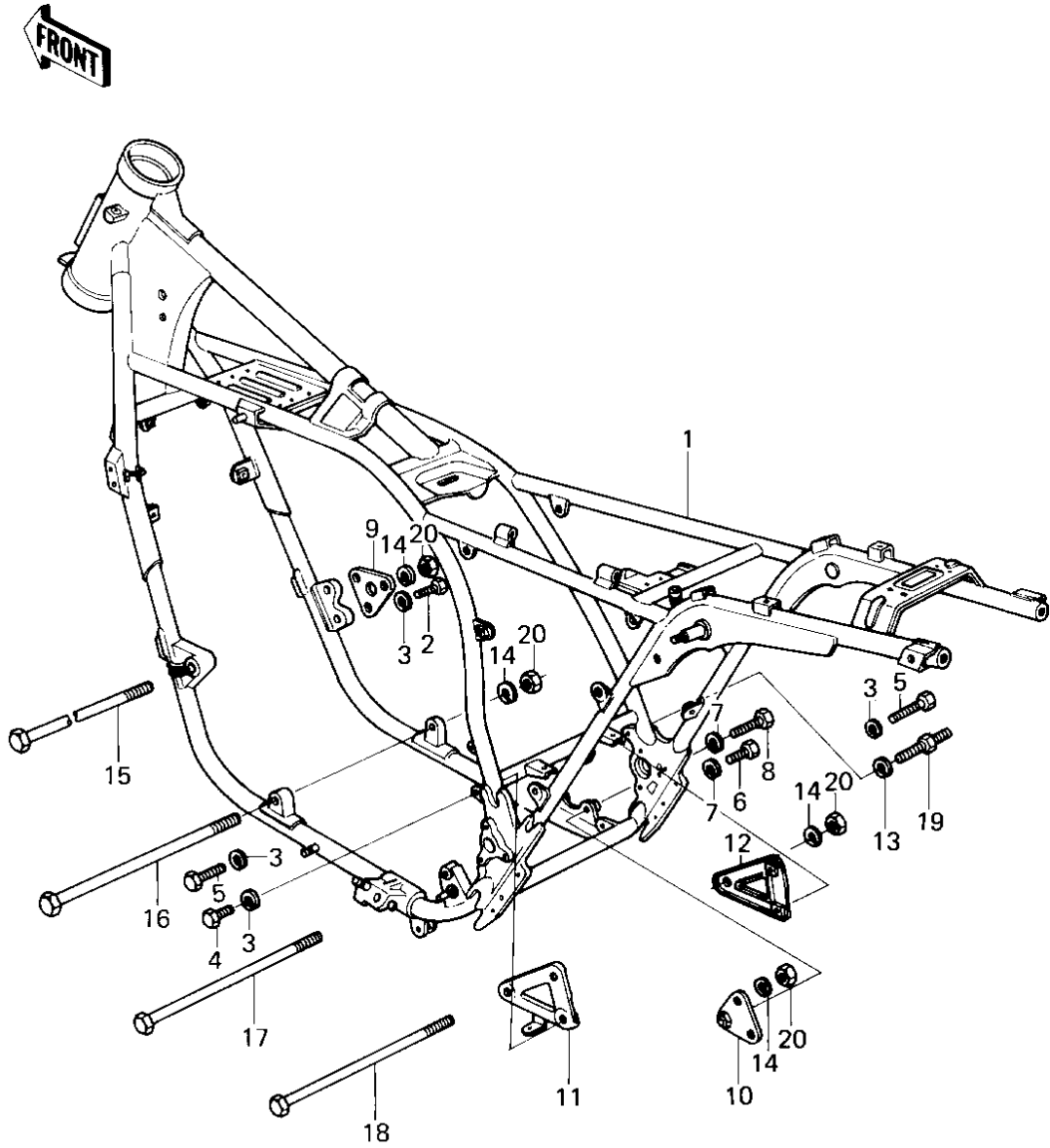


# 1980 KZ1300-B2 PARTS DIAGRAM

FRAME



# 1980 KZ1300-B2 PARTS LIST

## FRAME

| ITEM NAME                       | PART NUMBER | QUANTITY |
|---------------------------------|-------------|----------|
| FRAME (Ref # 1)                 | 32002-1084  | 1        |
| BOLT,8X22 (Ref # 2)             | 114G0822    | 2        |
| WASHER SPRING 8MM (Ref # 3)     | 461F0800    | 5        |
| BOLT-SMALL-UPSET 8X25 (Ref # 4) | 115G0825    | 1        |
| BOLT (Ref # 5)                  | 92001-1578  | 2        |
| BOLT,HEX HEAD,10X16 (Ref # 6)   | 113G1016    | 1        |
| WASHER SPRING 10MM (Ref # 7)    | 461F1000    | 2        |
| BOLT,HEX HEAD 10X40 (Ref # 8)   | 92001-1253  | 1        |
| BRACKET,ENGINE,FRONT (Ref # 9)  | 32029-1061  | 1        |
| BRACKET,ENGINE,REAR (Ref # 10)  | 32029-1062  | 1        |
| BRACKET,ENGINE,REAR (Ref # 11)  | 32029-1063  | 1        |
| BRACKET,ENGINE,REAR (Ref # 12)  | 32029-1064  | 1        |
| WASHER SPRING 8MM (Ref # 13)    | 461F0800    | 1        |
| WASHER SPRING 10MM (Ref # 14)   | 461F1000    | 4        |
| BOLT,HEX HEAD,10X369 (Ref # 15) | 92001-1126  | 1        |
| BOLT,HEX HEAD,10X3/3 (Ref # 16) | 92001-1127  | 1        |
| BOLT,HEX HEAD,10X305 (Ref # 17) | 92001-1128  | 1        |
| BOLT,HEX HEAD,10X287 (Ref # 18) | 92001-1129  | 1        |
| BOLT,ENGINE BRACKET (Ref # 19)  | 92001-1400  | 1        |
| NUT,LOCK,10MM (Ref # 20)        | 92019-021   | 4        |