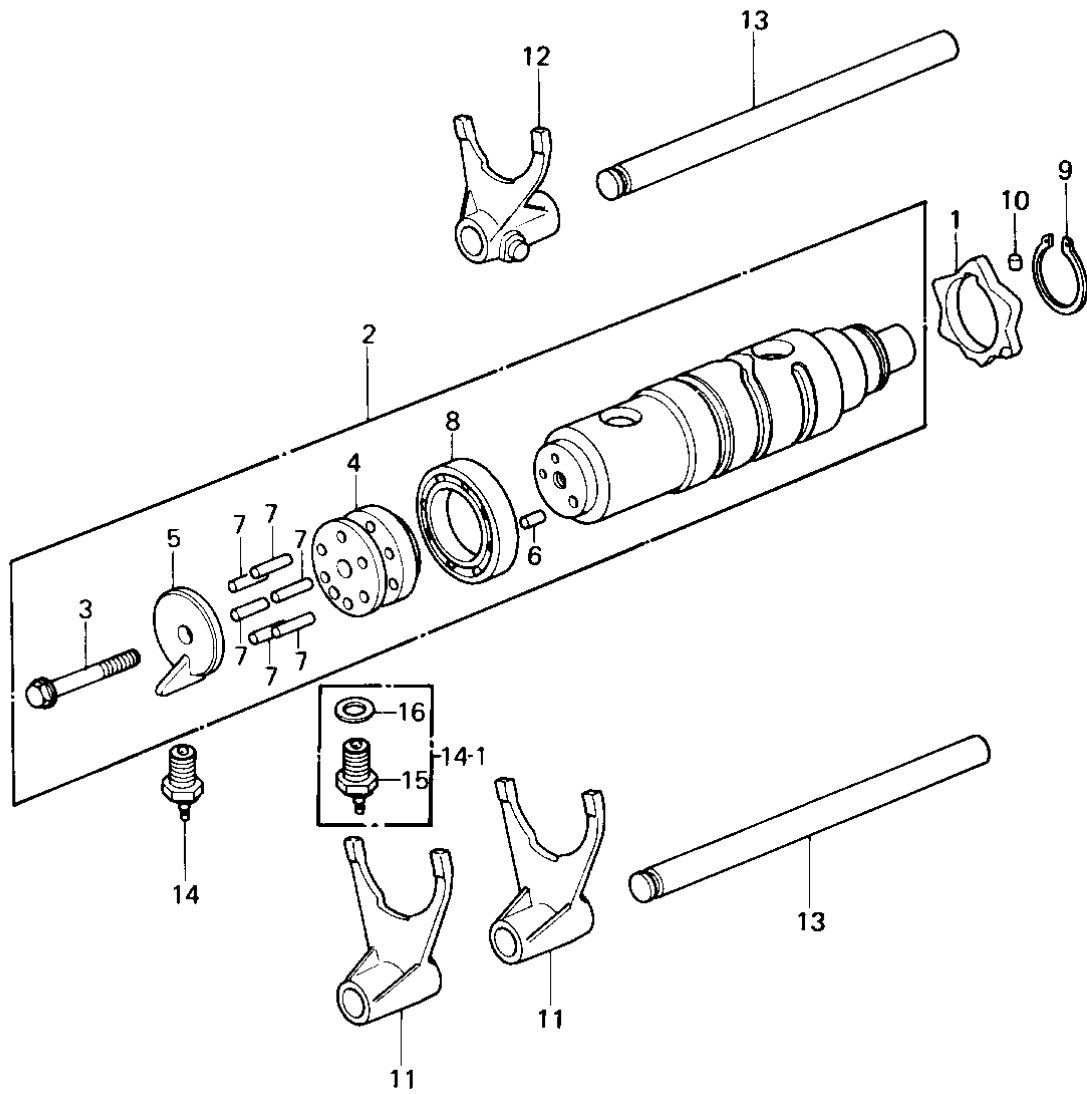


# 1980 KZ1300-B2 PARTS DIAGRAM

GEAR CHANGE DRUM & FORKS



# 1980 KZ1300-B2 PARTS LIST

## GEAR CHANGE DRUM & FORKS

ITEM NAME	PART NUMBER	QUANTITY
CAM-CHANGE DRUM (Ref # 1)	13145-1058	1
DRUM ASSY,CHANGE (Ref # 2)	13239-1020	1
BOLT,FLANGED,6X45 (Ref # 3)	130G0645	1
HOLDER,BEARING (Ref # 4)	13091-1032	1
HOLDER,DRUM PIN (Ref # 5)	13091-1033	1
PIN DOWEL 4X8 (Ref # 6)	610A0408	1
PIN GEAR CHANGE DRUM (Ref # 7)	92042-014	6
BEARING,BALL,#6906 (Ref # 8)	92045-1016	1
CIRCLIP,30MM (Ref # 9)	480J3000	1
PIN-DOWEL,4X6 (Ref # 10)	610A0406	1
FORK,SHIFT,LOW,2ND,3D (Ref # 11)	13140-1019	2
FORK,SHIFT,4TH & TOP (Ref # 12)	13140-1020	1
ROD,SHIFT,12X173 (Ref # 13)	49047-1008	2
SWITCH,NEUTRAL (Ref # 14)	13151-5002	1
SWITCH,NEUTRAL (Ref # 14-1)	13151-5002	1
SWITCH,NEUTRAL (Ref # 15)	13151-1007	1
GASKET CHECK VALVE (Ref # 16)	92065-058	1