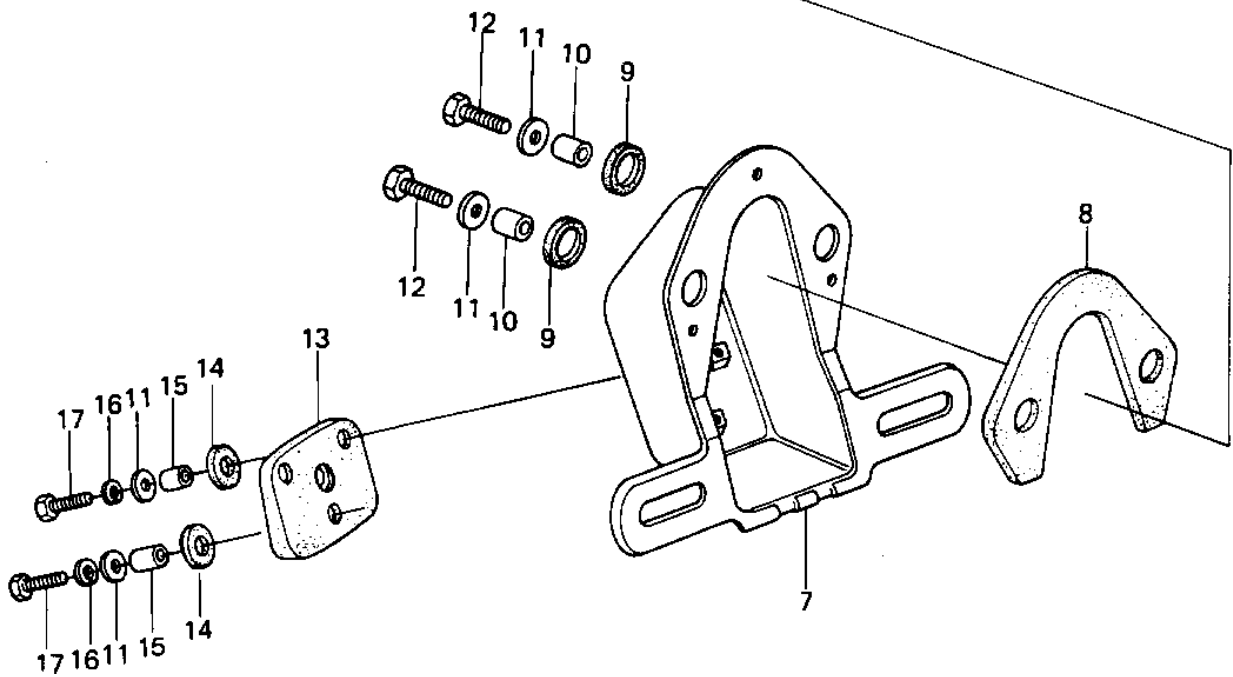
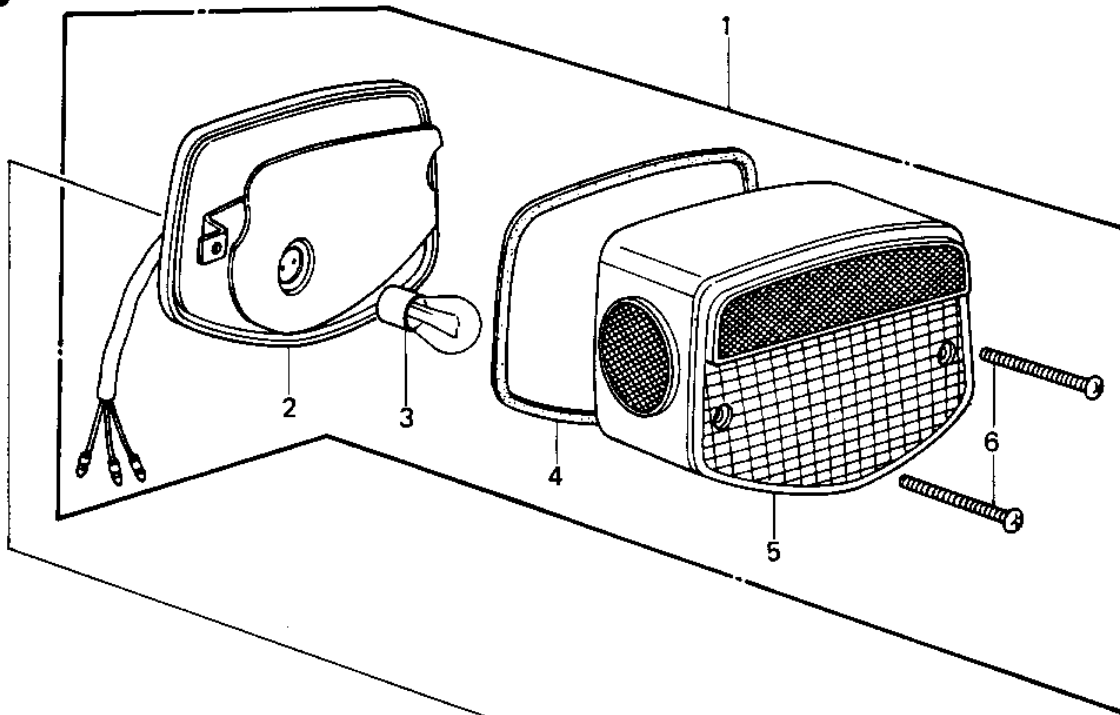


1980 Classic PARTS DIAGRAM

TAILLIGHT



1980 Classic PARTS LIST

TAILLIGHT

| ITEM NAME | PART NUMBER | QUANTITY |
|----------------------------------|-------------|----------|
| TAIL LAMP UNIT (Ref # 1) | 23025-064 | 1 |
| CASE,TAIL LIGHT (Ref # 2) | 23027-041 | 1 |
| BULB,12V 32/3CP (Ref # 3) | 92069-059 | 1 |
| GASKET,TAIL LENS (Ref # 4) | 23028-021 | 1 |
| LENS,TAIL LAMP (Ref # 5) | 23026-034 | 1 |
| SCREW-PAN-CROS (Ref # 6) | 220R0460 | 2 |
| BRACKET,LICENSE PLATE (Ref # 7) | 23036-1028 | 1 |
| DAMPER RUBBER (Ref # 8) | 23066-023 | 1 |
| DAMPER RUBBER (Ref # 9) | 23066-020 | 2 |
| COLLAR,6.8X10X8.5 (Ref # 10) | 92027-129 | 2 |
| WASHER 6.5X20X1.6T (Ref # 11) | 92022-125 | 5 |
| BOLT 6X22 (Ref # 12) | 112B0622 | 2 |
| DAMPER,TAIL LAMP (Ref # 13) | 92075-1055 | 1 |
| DAMPER RUBBER,RR FEND (Ref # 14) | 92075-121 | 3 |
| COLLAR 6.8X10X14.5 (Ref # 15) | 92027-156 | 3 |
| WASHER SPRING 6MM (Ref # 16) | 461F0600 | 3 |
| BOLT-UPSET (Ref # 17) | 112G0625 | 3 |