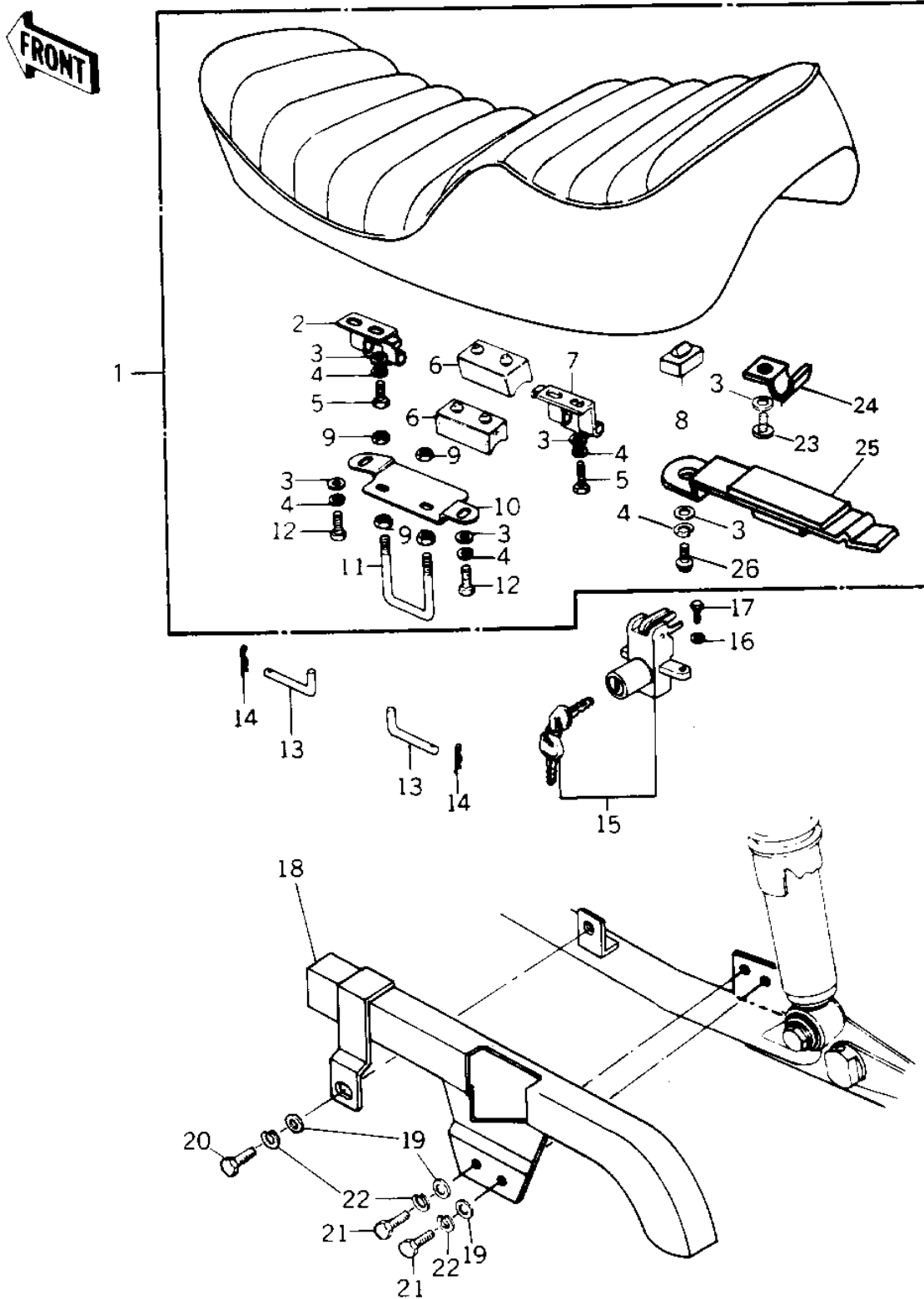


1980 Classic PARTS DIAGRAM

SEAT/CHAIN COVER



1980 Classic PARTS LIST

SEAT/CHAIN COVER

ITEM NAME	PART NUMBER	QUANTITY
SEAT-ASSY (Ref # 1)	53001-1084	1
HINGE,REAR (Ref # 2)	53009-030	1
WASHER PLAIN 6MM (Ref # 3)	411B0600	9
WASHER SPRING 6MM (Ref # 4)	461F0600	7
BOLT-UPSET,6X16 (Ref # 5)	112G0616	4
DAMPER RUBBER,SEAT (Ref # 6)	92075-139	6
HINGE,REAR (Ref # 7)	53009-032	1
DAMPER RUBBER (Ref # 8)	92075-099	1
NUT 6MM (Ref # 9)	311B0600	4
BRACKET,SEAT CATCH (Ref # 10)	53058-003	1
CATCH, SEAT (Ref # 11)	53056-002	1
BOLT-UPSET 6X14 (Ref # 12)	112B0614	2
PIN,DUAL SEAT PIVOT (Ref # 13)	53011-008	2
PIN,SNAP (Ref # 14)	554A0600	2
LOCK-ASSY,SEAT (Ref # 15)	27016-5010	1
WASHER SPRING 6MM (Ref # 16)	461F0600	2
BOLT-UPSET,6X12 (Ref # 17)	112G0612	1
CASE-CHAIN (Ref # 18)	36014-069	1
WASHER-PLAIN,6MM (Ref # 19)	411D0600	3
BOLT-HEX HEAD,6X16 (Ref # 20)	110N0616	1
BOLT-UPSET (Ref # 21)	112G0614	2
WASHER SPRING 6MM (Ref # 22)	461F0600	3
SCREW PAN HEAD 6X10 (Ref # 23)	220B0610	1
GUIDE,HARNESS (Ref # 24)	13070-1027	1
BRACKET (Ref # 25)	11034-1757	1
BOLT-UPSET,6X16 (Ref # 26)	112G0616	1