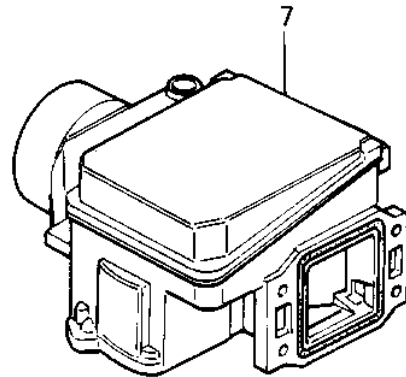
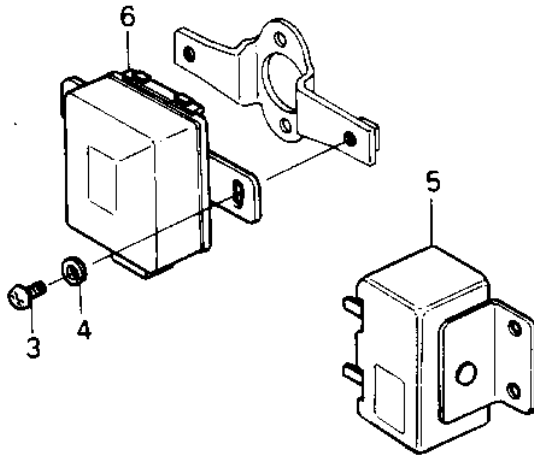
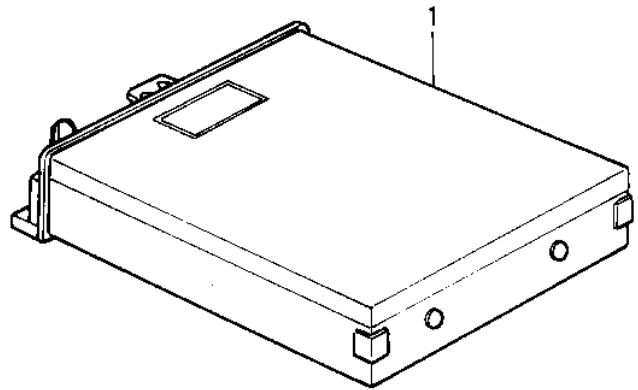
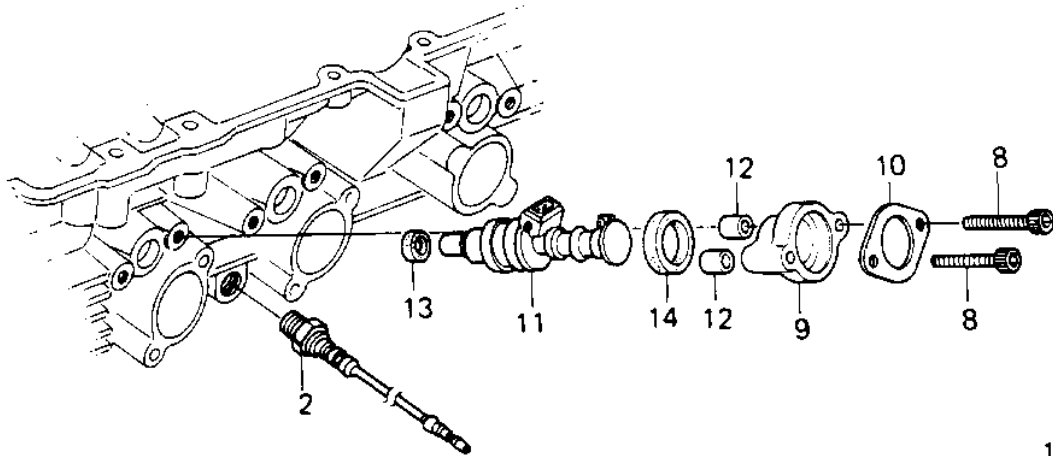


1980 Classic PARTS DIAGRAM

INJECTORS/ELECTRICAL EQUIPMENT



1980 Classic PARTS LIST

INJECTORS/ELECTRICAL EQUIPMENT

ITEM NAME	PART NUMBER	QUANTITY
CONTROL UNIT,ELECTRO (Ref # 1)	21175-1001	1
SENSOR,TEMPERATURE (Ref # 2)	21176-1001	1
SCREW PAN HEAD 4X8 (Ref # 3)	220B0408	2
WASHER SPRING 4MM (Ref # 4)	461F0400	2
RELAY ASSY (Ref # 5)	27002-1007	1
SWITCH ASSY,THROTTLE (Ref # 6)	27004-1006	1
METER,AIR FLOW (Ref # 7)	28011-1009	1
BOLT,SOCKET,5X40 (Ref # 8)	120P0540A	8
HOLDER,FUEL INJECTOR (Ref # 9)	13091-1076	4
PLATE,FUEL INJECTOR,B (Ref # 10)	13169-1434	4
INJECTOR,FUEL (Ref # 11)	49033-1001	4
COLLAR,FUEL INJECTOR (Ref # 12)	92027-1259	8
INSULATOR,FUEL INJECT (Ref # 13)	92055-1082	4
INSULATOR,FUEL INJECT (Ref # 14)	92075-1240	4