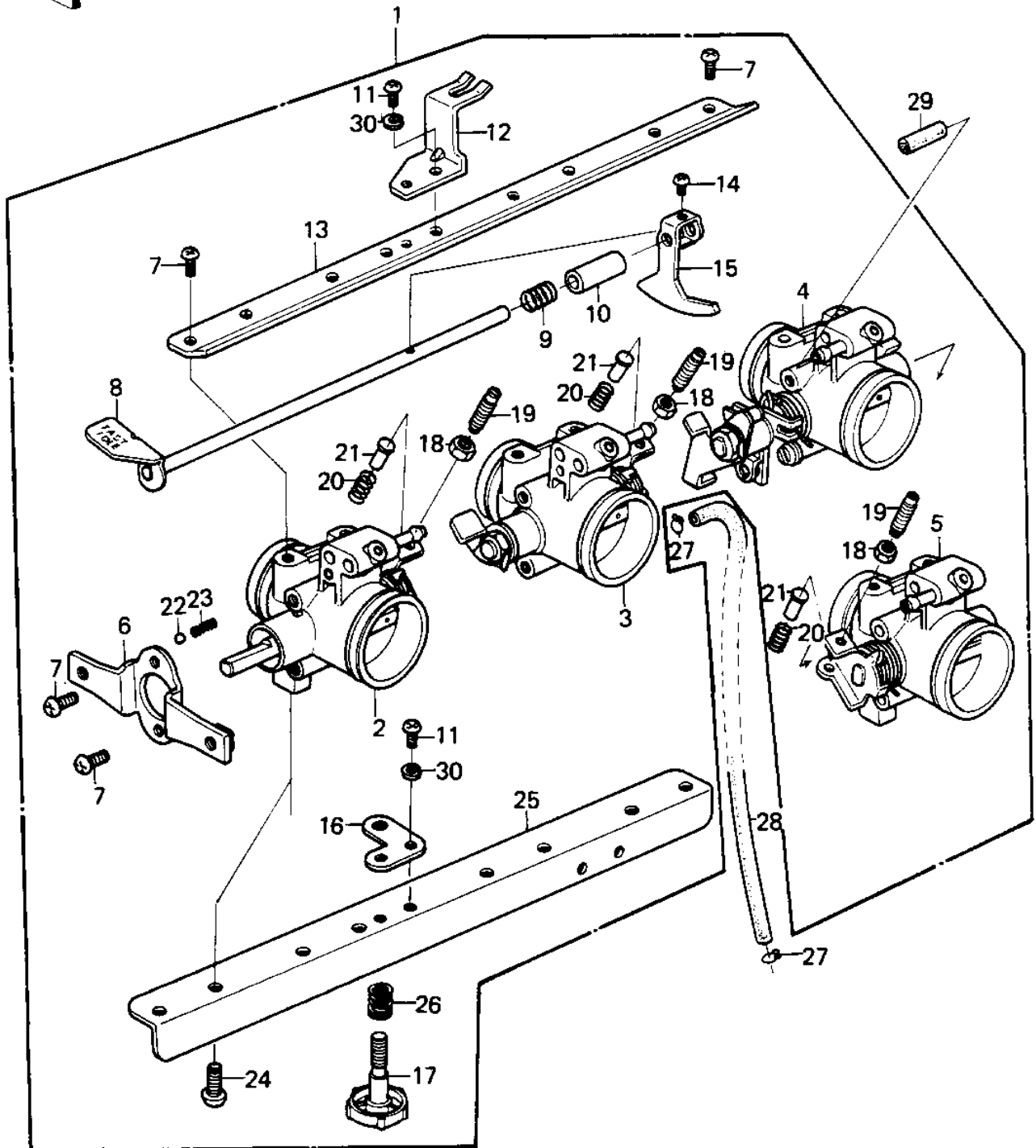


1980 Classic PARTS DIAGRAM

THROTTLE ASSY



1980 Classic PARTS LIST

THROTTLE ASSY

ITEM NAME	PART NUMBER	QUANTITY
THROTTLE ASSY (Ref # 1)	16163-1001	1
THROTTLE,L.H,OUTSIDE (Ref # 2)	16163-1002	1
THROTTLE,L.H,INSIDE (Ref # 3)	16163-1003	1
THROTTLE,R.H,INSIDE (Ref # 4)	16163-1004	1
THROTTLE,R.H,OUTSIDE (Ref # 5)	16163-1005	1
BRACKET,THROTTLE SWIT (Ref # 6)	11034-1811	1
SCREW PAN HEAD 5X10 (Ref # 7)	220B0510	10
SHAFT ASSY,FAST IDLE (Ref # 8)	13234-1003	1
SPRING,THROTTLE ADJST (Ref # 9)	16022-010	1
PIPE (Ref # 10)	32032-1433	1
SCREW PAN HEAD 5X8 (Ref # 11)	220B0508	2
BRACKET,THROTTLE.CABL (Ref # 12)	11034-1812	1
PLATE,STAY,UPPER (Ref # 13)	13169-1280	1
SCREW,PAN HEAD,5X7 (Ref # 14)	16046-007	1
LEVER,FAST IDLE (Ref # 15)	13168-1067	1
BRACKET,IDLING ADJUST (Ref # 16)	11034-1813	1
BOLT,IDLING ADJUST (Ref # 17)	92001-1331	1
NUT,THROTTLE VLV ADST (Ref # 18)	92015-1119	3
BOLT,THROTTLE VLV AJS (Ref # 19)	92001-1332	3
SPRING,THROTTLE VALVE (Ref # 20)	92081-1259	3
PIN,THROTTLE VALVE (Ref # 21)	92043-1079	3
BALL,STEEL,1/8" (Ref # 22)	600A0400	1
SPRING,FAST IDLE SHFT (Ref # 23)	92081-1260	1
SCREW PAN HEAD 6X14 (Ref # 24)	220B0614	8
PLATE,STAY,LOWER (Ref # 25)	13169-1279	1
SPRING,IDLING ADJUST (Ref # 26)	92081-1261	1
CLAMP-PIPE (Ref # 27)	92037-072	2
TUBE,4X9X290 (Ref # 28)	92059-1043	1
RUBBER PLUG (Ref # 29)	92068-006	1

1980 Classic PARTS LIST

THROTTLE ASSY

ITEM NAME	PART NUMBER	QUANTITY
WASHER SPRING 5MM (Ref # 30)	461F0500	2