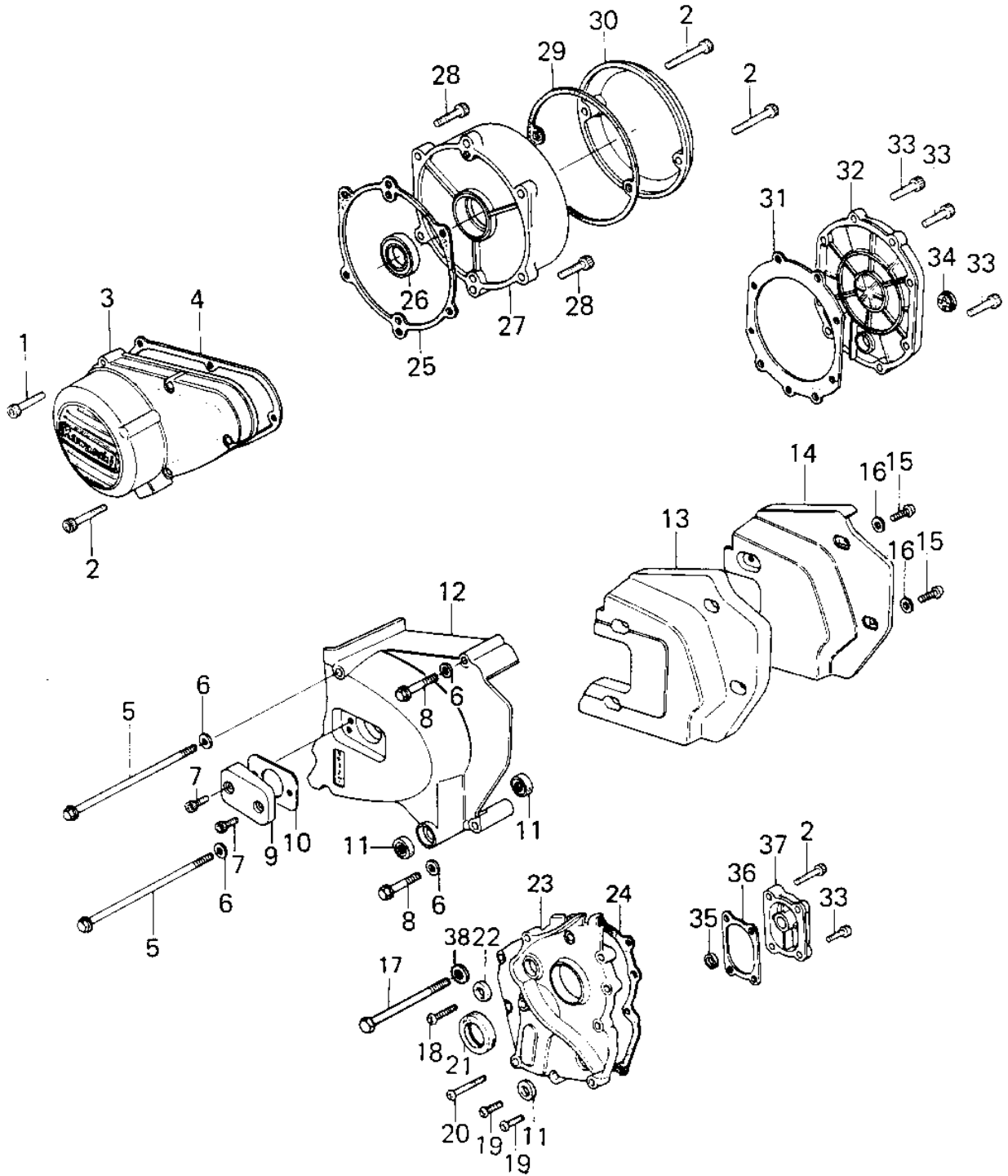


1980 Classic PARTS DIAGRAM

ENGINE COVERS



1980 Classic PARTS LIST

ENGINE COVERS

ITEM NAME	PART NUMBER	QUANTITY
BOLT,SOCKET,6X30 (Ref # 1)	120P0630	6
BOLT,SOCKET,6X40 (Ref # 2)	120P0640	6
COVER,GENERATOR (Ref # 3)	14031-1052	1
GASKET,GENERATOR COVE (Ref # 4)	11060-1075	1
BOLT,HEX HEAD,6X125 (Ref # 5)	110G06125	2
WASHER PLAIN 6MM (Ref # 6)	410B0600	4
BOLT,6X14 (Ref # 7)	120P0614	2
BOLT,HEX HEAD,6X71 (Ref # 8)	110G0671	2
COVER,CLUTCH ADJUST (Ref # 9)	14025-1228	1
GASKET,CLUTCH ADJ COV (Ref # 10)	11009-1126	1
OIL SEAL SB12205 (Ref # 11)	92049-004	3
COVER,FRONT CHAIN (Ref # 12)	14026-1032	1
ARRESTER,SOUND (Ref # 13)	92075-1064	1
COVER,SOUND ARRESTER (Ref # 14)	14025-1044	1
SCREW PAN HEAD 6X12 (Ref # 15)	220B0612	4
WASHER PLAIN 6MM (Ref # 16)	410B0600	4
BOLT,HEX HEAD,6X54 (Ref # 17)	92003-110	1
SCREW PAN HEAD 6X28 (Ref # 18)	220B0628	1
SCREW PAN HEAD 6X20 (Ref # 19)	220B0620	6
SCREW PAN HEAD 6X40 (Ref # 20)	220B0640	2
OIL SEAL SC325210 (Ref # 21)	92050-024	1
OIL SEAL,TC7187 (Ref # 22)	92050-048	1
COVER,TRANSMISSION (Ref # 23)	14025-1240	1
GASKET,TRANSMISSION C (Ref # 24)	11060-1069	1
GASKET,RH ENGINE COVE (Ref # 25)	11060-1071	1
OIL SEAL,S25407R (Ref # 26)	92050-047	1
COVER,R.H ENGINE (Ref # 27)	14032-083	1
BOLT,SOCKET,6X22 (Ref # 28)	120P0622	6
GASKET,POINT CAP (Ref # 29)	14050-006	1

1980 Classic PARTS LIST

ENGINE COVERS

ITEM NAME	PART NUMBER	QUANTITY
COVER,CONTACT BRAKER (Ref # 30)	14025-1082	1
GASKET,CLUTCH (Ref # 31)	14046-024	1
COVER,CLUTCH (Ref # 32)	14032-1041	1
BOLT,6X25 (Ref # 33)	120P0625	11
GAUGE,OIL LEVEL (Ref # 34)	52015-004	1
OIL SEAL,SC22325 (Ref # 35)	92049-1048	1
GASKET,KICK COVER (Ref # 36)	14046-025	1
COVER,KICKSTARTER, (Ref # 37)	14032-075-21	1
WASHER OIL PUMP BANJO (Ref # 38)	92022-077	1