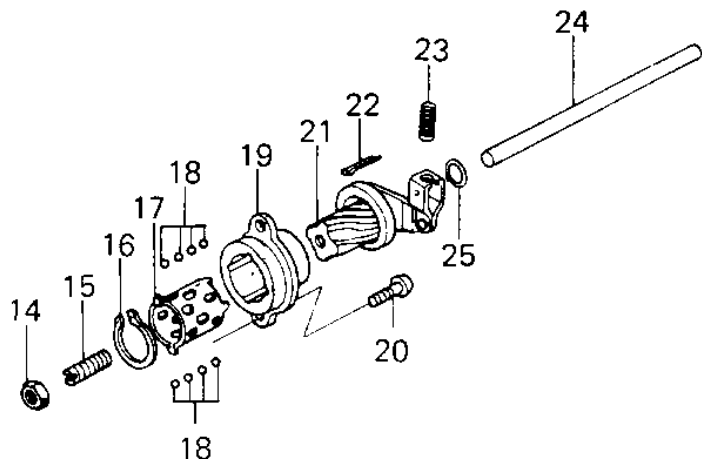
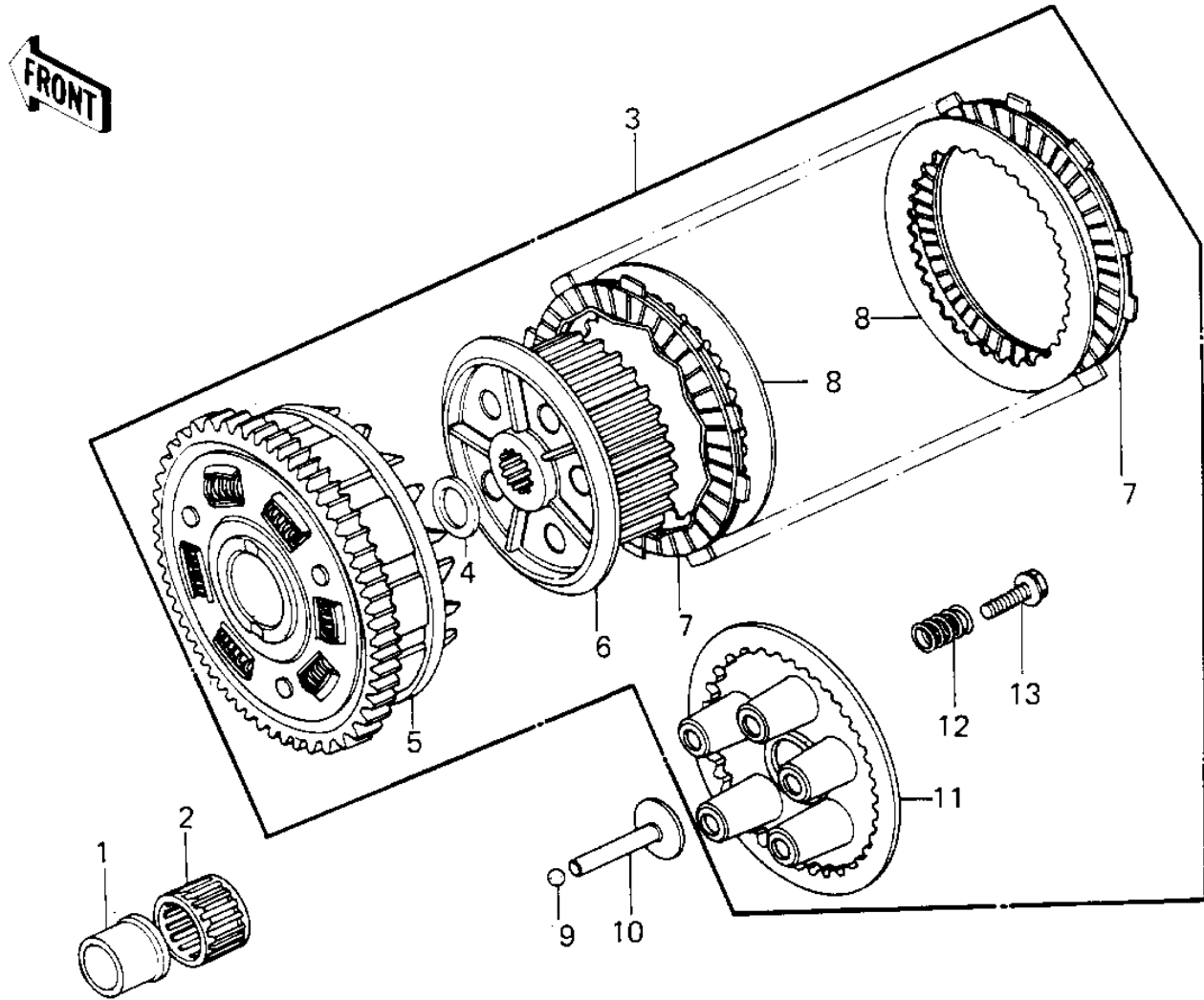


1980 Classic PARTS DIAGRAM

CLUTCH



1980 Classic PARTS LIST

CLUTCH

| ITEM NAME | PART NUMBER | QUANTITY |
|----------------------------------|-------------|----------|
| BUSHING,CLUTCH (Ref # 1) | 92028-135 | 1 |
| BEARING,KTV323723 (Ref # 2) | 92046-028 | 1 |
| CLUTCH-ASSY (Ref # 3) | 13081-1014 | 1 |
| WASHER TH 25.5X47X2.5 (Ref # 4) | 92026-022 | 1 |
| CLUTCH-ASSY (Ref # 5) | 13081-1367 | 1 |
| CLUTCH-ASSY (Ref # 6) | 13081-1367 | 1 |
| PLATE,CLUTCH FRICTION (Ref # 7) | 13088-030 | 8 |
| PLATE,CLUTCH STEEL (Ref # 8) | 13089-022 | 7 |
| BALL STEEL 3/8' (Ref # 9) | 600A1200 | 1 |
| PUSHER,CLUTCH SPRG PL (Ref # 10) | 13116-022 | 1 |
| PLATE,CLUTCH SPRING (Ref # 11) | 13187-006 | 1 |
| SPRING,CLUTCH (Ref # 12) | 92081-1033 | 5 |
| BOLT,CLUTCH SPR FITT (Ref # 13) | 92001-1066 | 5 |
| NUT 8MM (Ref # 14) | 318B0800 | 1 |
| SCREW,SLOTTED,8X25 (Ref # 15) | 92014-014 | 1 |
| CIRCLIP 15MM (Ref # 16) | 480J1500 | 1 |
| RETAINER (Ref # 17) | 13197-004 | 1 |
| BALL,STEEL,1/8" (Ref # 18) | 600A0400 | 11 |
| OUTER,CLUTCH RELEASE (Ref # 19) | 13118-011 | 1 |
| SCREW PAN HEAD 6X16 (Ref # 20) | 220B0616 | 2 |
| INNER,CLUTCH RELEASE (Ref # 21) | 13102-019 | 1 |
| PIN COTTER 1.6X15 (Ref # 22) | 550D1615 | 1 |
| SPRING-CLUTCH RELEASE (Ref # 23) | 92081-069 | 1 |
| PUSH ROD,CLUTCH (Ref # 24) | 13116-021 | 1 |
| "O" RING,7MM (Ref # 25) | 670B1507 | 1 |