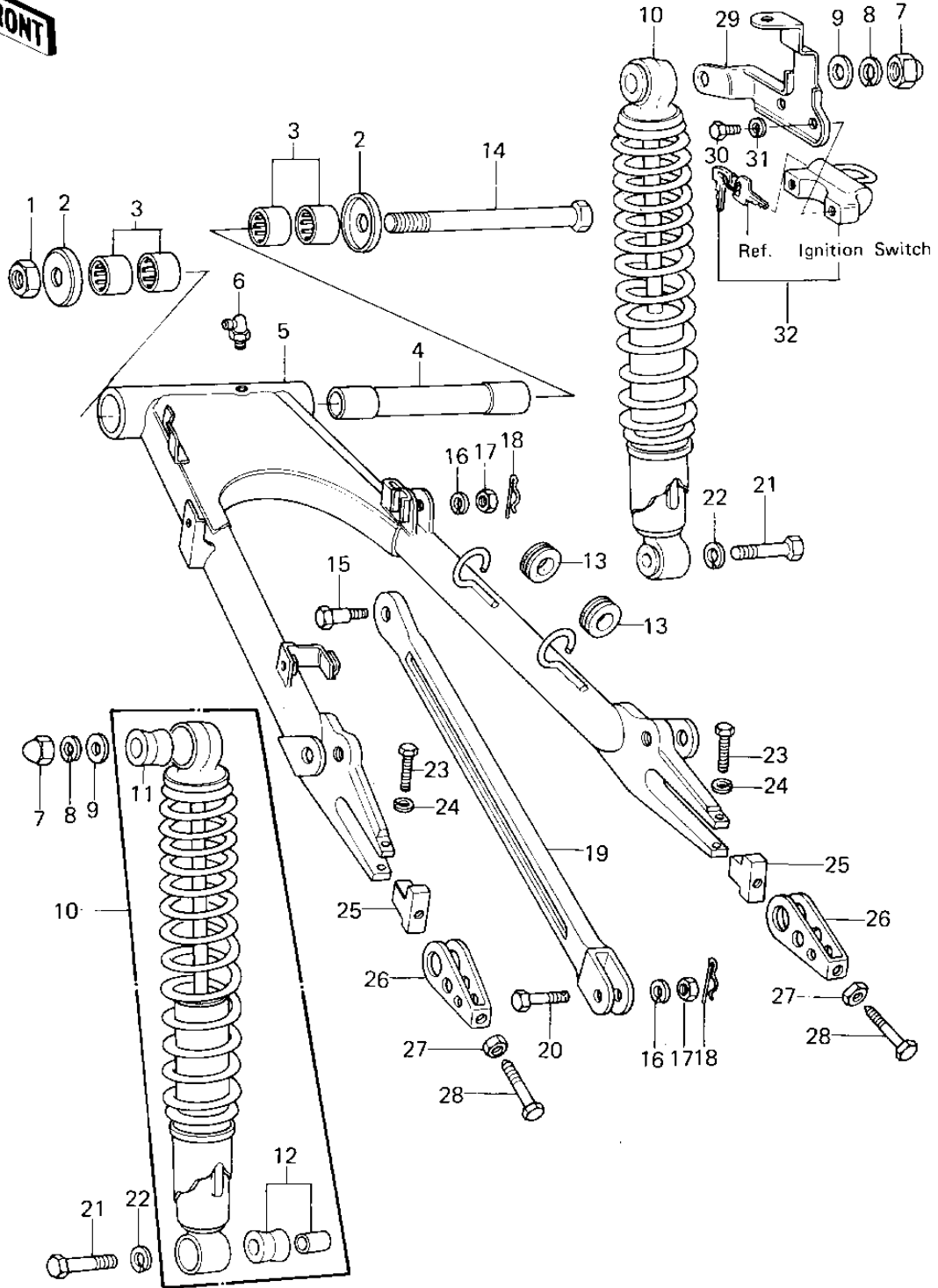


1978 Z1R PARTS DIAGRAM

SWING ARM/SHOCK ABSORBERS (78 D1)



1978 Z1R PARTS LIST

SWING ARM/SHOCK ABSORBERS (78 D1)

| ITEM NAME | PART NUMBER | QUANTITY |
|---------------------------------|-------------|----------|
| NUT-SELF LOCKING (Ref # 1) | 92019-012 | 1 |
| CAP,SWING ARM (Ref # 2) | 33035-009 | 2 |
| BEARING-NEEDLE,HK221 (Ref # 3) | 92046-1115 | 4 |
| SLEEVE,SWING ARM (Ref # 4) | 42036-1011 | 1 |
| ARM,SWING (Ref # 5) | 33001-1014 | 1 |
| GREASE NIPPLE (Ref # 6) | 92005-002 | 1 |
| NUT 12MM (Ref # 7) | 92020-014 | 2 |
| WASHER SPRING 12MM (Ref # 8) | 461F1200 | 2 |
| WASHER PLAIN 12MM (Ref # 9) | 410B1200 | 2 |
| SHOCK ABSBR RR (Ref # 10) | 45014-1020 | 2 |
| BUSHING,SHOCK ABSORB (Ref # 11) | 45017-020 | 2 |
| BUSHING,SHOCK ABSORB (Ref # 12) | 45017-019 | 2 |
| DAMPER RUBBER (Ref # 13) | 43064-007 | 2 |
| SHAFT,SWING ARM PIVO (Ref # 14) | 33032-036 | 1 |
| BOLT,HEX HEAD,10X39 (Ref # 15) | 92003-218 | 1 |
| WASHER SPRING 10MM (Ref # 16) | 461F1000 | 2 |
| NUT,10MM (Ref # 17) | 314B1000 | 2 |
| PIN,SNAP (Ref # 18) | 554A0800 | 2 |
| TORQUE LINK,REAR HUB (Ref # 19) | 43007-049 | 1 |
| BOLT,10X47 (Ref # 20) | 92001-1145 | 1 |
| BOLT HEX HEAD 10X35 (Ref # 21) | 113N1035 | 2 |
| WASHER SPRING 10MM (Ref # 22) | 461F1000 | 2 |
| BOLT (Ref # 23) | 110G0840 | 2 |
| WASHER SPRING 8MM (Ref # 24) | 461F0800 | 2 |
| STOPPER,CHAIN ADJUST (Ref # 25) | 33044-001 | 2 |
| ADJUSTER,CHAIN (Ref # 26) | 33040-066 | 2 |
| NUT 10MM (Ref # 27) | 315B1000 | 2 |
| BOLT-CHN ADJUST 10MM (Ref # 28) | 92001-143 | 2 |
| BRACKET,HELMET LOCK (Ref # 29) | 11034-1134 | 1 |

1978 Z1R PARTS LIST

SWING ARM/SHOCK ABSORBERS (78 D1)

| ITEM NAME | PART NUMBER | QUANTITY |
|------------------------------|-------------|----------|
| BOLT-UPSET (Ref # 30) | 112G0516 | 2 |
| WASHER SPRING 5MM (Ref # 31) | 461F0500 | 2 |
| LOCK ASSY,HELMET (Ref # 32) | 27016-5007 | 1 |