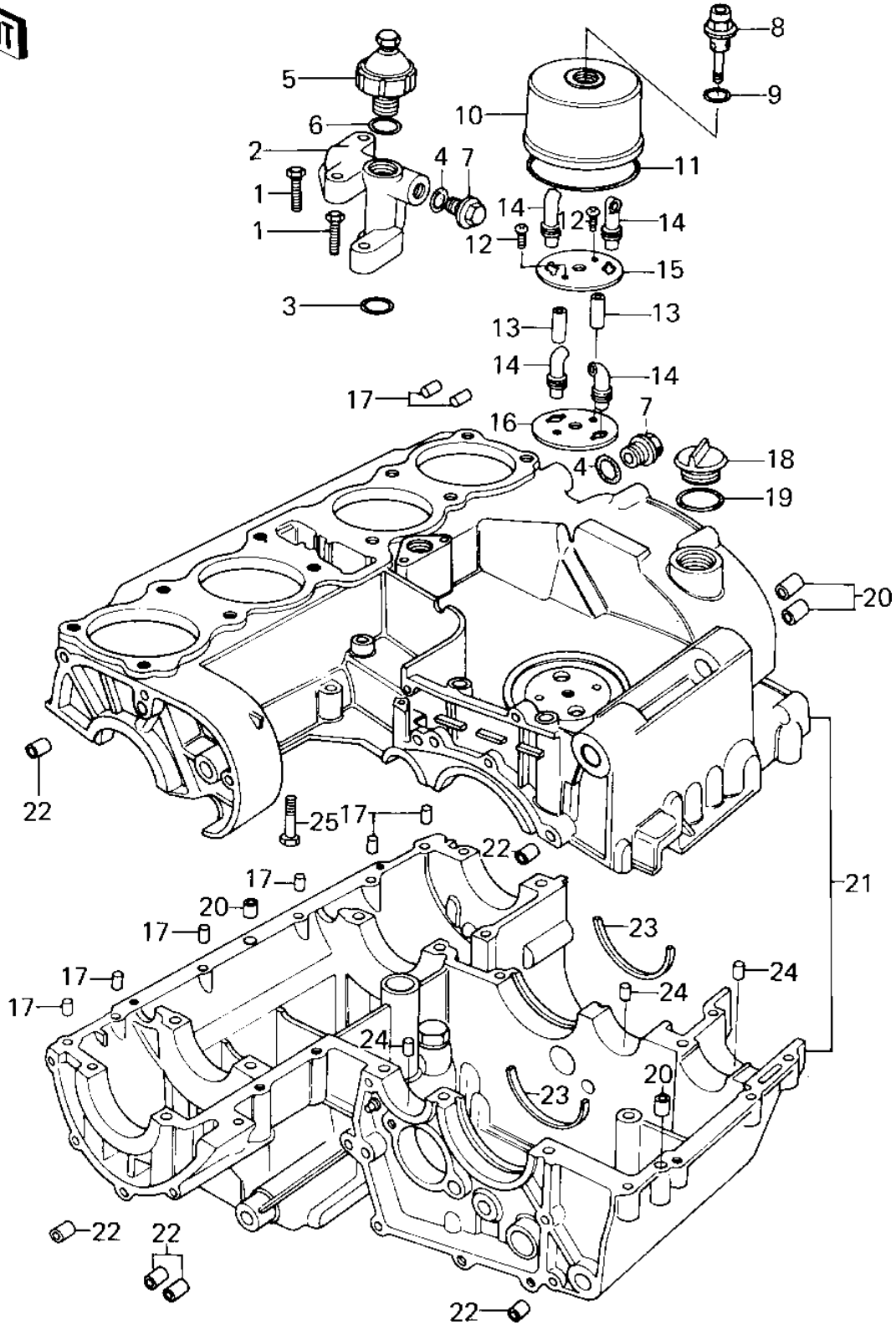


1978 Z1R PARTS DIAGRAM

CRANKCASE/BREATHER COVER (78 D1)



1978 Z1R PARTS LIST

CRANKCASE/BREATHER COVER ('78 D1)

ITEM NAME	PART NUMBER	QUANTITY
BOLT,HEX HEAD,6X35 (Ref # 1)	92001-164	4
PIPE (Ref # 2)	16109-003	1
"O" RING,18MM (Ref # 3)	670B2018	2
"O" RING,15MM (Ref # 4)	670B2015	2
SWITCH,OIL PRESSURE (Ref # 5)	27010-1013	1
"O" RING (Ref # 6)	92055-055	1
PLUG (Ref # 7)	92066-021	2
BOLT,BREATHER FITTIN (Ref # 8)	92003-098	1
"O" RING,16MM (Ref # 9)	670B2016	1
BODY,BREATHER (Ref # 10)	14070-007	1
"O" RING,91MM (Ref # 11)	92055-052	1
SCREW PAN HEAD 6X40 (Ref # 12)	220B0640	2
COLLAR,IGNITION COIL (Ref # 13)	92027-276	2
TUBE,BREATHER (Ref # 14)	92059-140	4
PLATE,BREATHER (Ref # 15)	14068-009	1
PLATE,BREATHER (Ref # 16)	14068-007	1
PIN,DOWEL,6X14 (Ref # 17)	610A0614	8
PLUG,OIL FILLER (Ref # 18)	16115-013	1
"O" RING,31MM (Ref # 19)	92055-049	1
PIN,DOWEL,10X8.2X14 (Ref # 20)	92043-1037	4
CRANKCASE SET (Ref # 21)	14001-5022	1
PIN-DOWEL (Ref # 22)	92042-007	8
RING,POSITION (Ref # 23)	14013-1004	2
PIN DOWEL 6MM (Ref # 24)	92042-016	3
BOLT,HEX HEAD,8X72 (Ref # 25)	92003-107	4