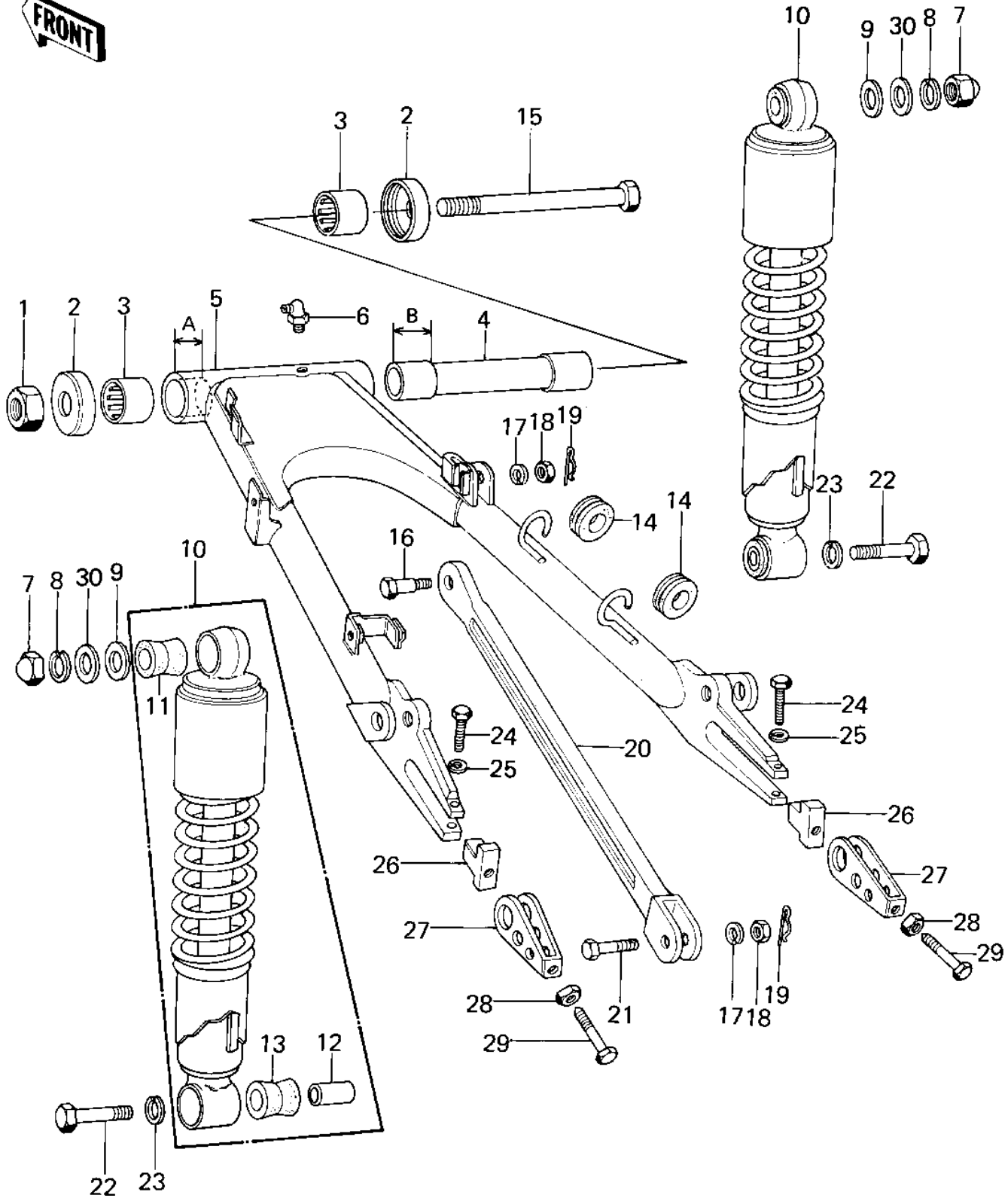


1978 KZ1000 PARTS DIAGRAM

SWING ARM/SHOCK ABSORBERS ('77-'78 A1/A2)



1978 KZ1000 PARTS LIST

SWING ARM/SHOCK ABSORBERS ('77-'78 A1/A2)

| ITEM NAME | PART NUMBER | QUANTITY |
|-------------------------------------|-------------|----------|
| NUT-SELF LOCKING (Ref # 1) | 92019-012 | 1 |
| CAP,SWING ARM (Ref # 2) | 33035-009 | 2 |
| BEARING-NEEDLE,HK221 (Ref # 3) | 92046-1115 | 2 |
| UNAVAILABLE IN PRICE BOOK (Ref # 3) | 92046 061 | 4 |
| SLEEVE,SWING ARM (Ref # 4) | 33034-025 | 1 |
| SLEEVE,SWING ARM (Ref # 4) | 42036-1011 | 1 |
| SWING ARM (Ref # 5) | 33001-091 | 1 |
| ARM,SWING (Ref # 5) | 33001-1014 | 1 |
| GREASE NIPPLE (Ref # 6) | 92005-002 | 1 |
| NUT 12MM (Ref # 7) | 92020-014 | 2 |
| WASHER SPRING 12MM (Ref # 8) | 461F1200 | 2 |
| WASHER PLAIN 12MM (Ref # 9) | 410B1200 | 2 |
| SHOCK ABSBR RR (Ref # 10) | 45014-107 | 2 |
| BUSHING,SHCK ABS RUB (Ref # 11) | 45017-018 | 2 |
| BUSH SHCK ABS PVT SF (Ref # 12) | 45016-003 | 2 |
| BUSHING,SHCK ABSORBE (Ref # 13) | 45017-011 | 2 |
| DAMPER RUBBER (Ref # 14) | 43064-007 | 2 |
| SHAFT,SWING ARM PIVO (Ref # 15) | 33032-036 | 1 |
| BOLT,HEX HEAD,10X39 (Ref # 16) | 92003-218 | 1 |
| WASHER SPRING 10MM (Ref # 17) | 461F1000 | 2 |
| NUT,10MM (Ref # 18) | 314B1000 | 2 |
| PIN,SNAP (Ref # 19) | 554A0800 | 2 |
| BOLT,10X47 (Ref # 21) | 92001-1145 | 1 |
| BOLT HEX HEAD 10X35 (Ref # 22) | 113N1035 | 2 |
| WASHER SPRING 10MM (Ref # 23) | 461F1000 | 2 |
| BOLT (Ref # 24*) | 92001-1578 | 2 |
| WASHER SPRING 8MM (Ref # 25*) | 461F0800 | 2 |
| STOPPER,CHAIN ADJUST (Ref # 26*) | 33044-001 | 2 |
| ADJUSTER,CHAIN (Ref # 27) | 33040-066 | 2 |

1978 KZ1000 PARTS LIST

SWING ARM/SHOCK ABSORBERS ('77-'78 A1/A2)

| ITEM NAME | PART NUMBER | QUANTITY |
|--------------------------------------|-------------|----------|
| NUT 10MM (Ref # 28) | 315B1000 | 2 |
| UNAVAILABLE IN PRICE BOOK (Ref # 29) | 92001 143 | 2 |
| WASHER,PLAIN,12 X 22 (Ref # 30) | 92022-1057 | 2 |