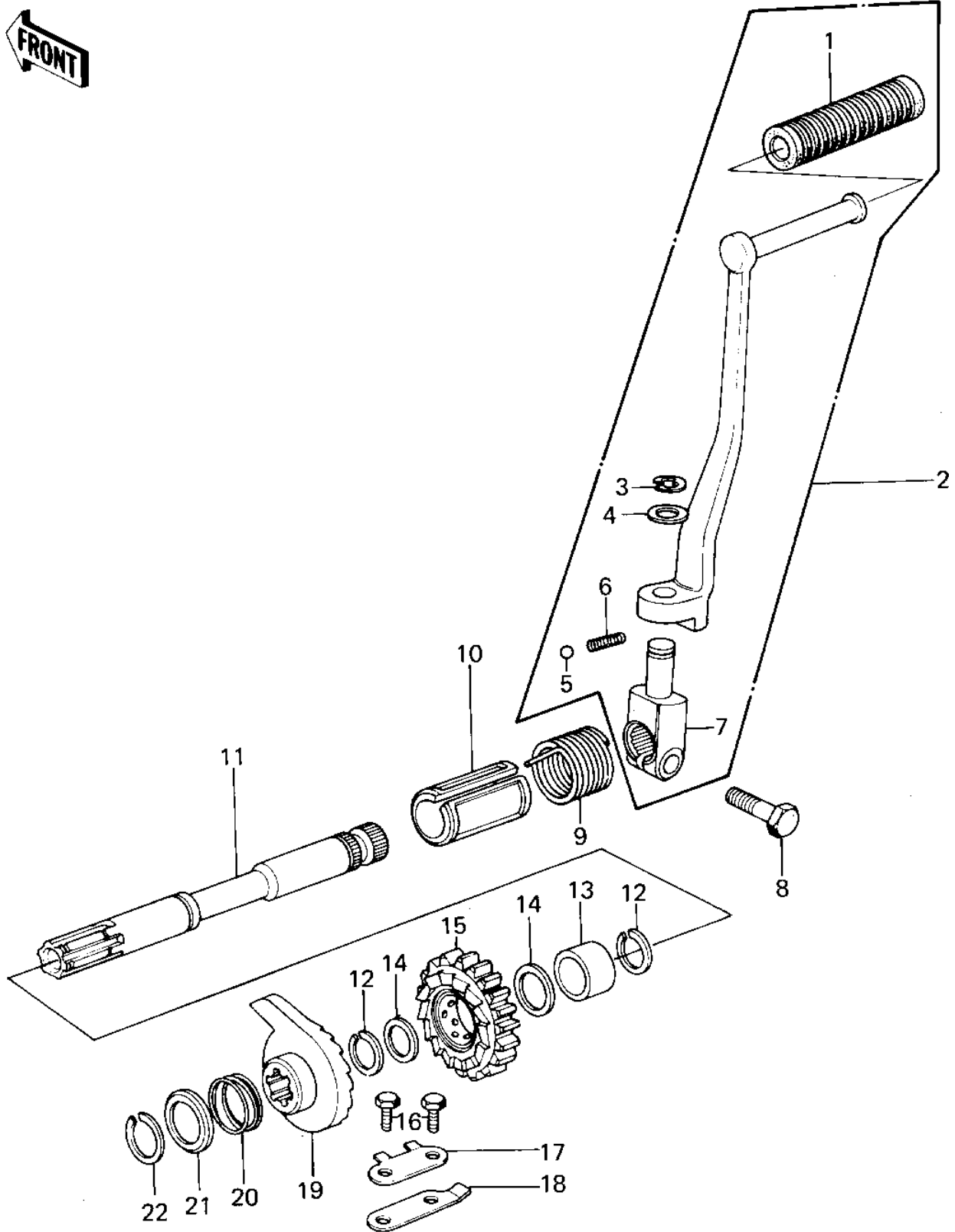


1978 KZ1000 PARTS DIAGRAM

KICKSTARTER MECHANISM ('77-'78 A1/A2/A2A)



1978 KZ1000 PARTS LIST

KICKSTARTER MECHANISM ('77-'78 A1/A2/A2A)

ITEM NAME	PART NUMBER	QUANTITY
RUBBER KICK PEDAL (Ref # 1)	13063-004	1
PEDAL,KICKSTARTER (Ref # 2)	13058-044	1
CIRCLIP 10MM (Ref # 3)	482J0100	1
WASHER BRAKE PEDAL (Ref # 4)	92022-085	1
BALL STEEL 1/4' (Ref # 5)	600A0800	1
SPRING KICK PEDAL (Ref # 6)	92081-020	1
BOSS-KICK PEDAL (Ref # 7)	13061-014	1
BOLT-HEX HEAD,10X25 (Ref # 8)	114B1025	1
SPRING,KICKSTARTER (Ref # 9)	92082-004	1
GUID,KICK SHAFT (Ref # 10)	13070-005	1
SHAFT,KICKSTARTER (Ref # 11)	13066-029	1
SHAFT,KICKSTARTER (Ref # 11)	13066-1004	1
CIRCLIP,25MM (Ref # 12)	92033-025	2
COLLAR,KICKSHAFT (Ref # 13)	92028-126	1
WASHER,PLAIN,22MM (Ref # 14)	92022-207	2
GEAR,KICKSTARTER 19T (Ref # 15)	13068-028	1
GEAR,KICKSTARTER (Ref # 15)	59051-1006	1
BOLT-UPSET (Ref # 16)	110G0614	2
WASHER-LOCK (Ref # 17)	92024-036	AR
STOPPER,KICKSTARTER (Ref # 18)	13072-012	1
RATCHET,KICK SHAFT (Ref # 19)	13078-011	1
SPRING RATCHET (Ref # 20)	92081-104	1
CAP,KICKSTARTER (Ref # 21)	92102-008	1
CIRCLIP,19MM (Ref # 22)	480J1900	1