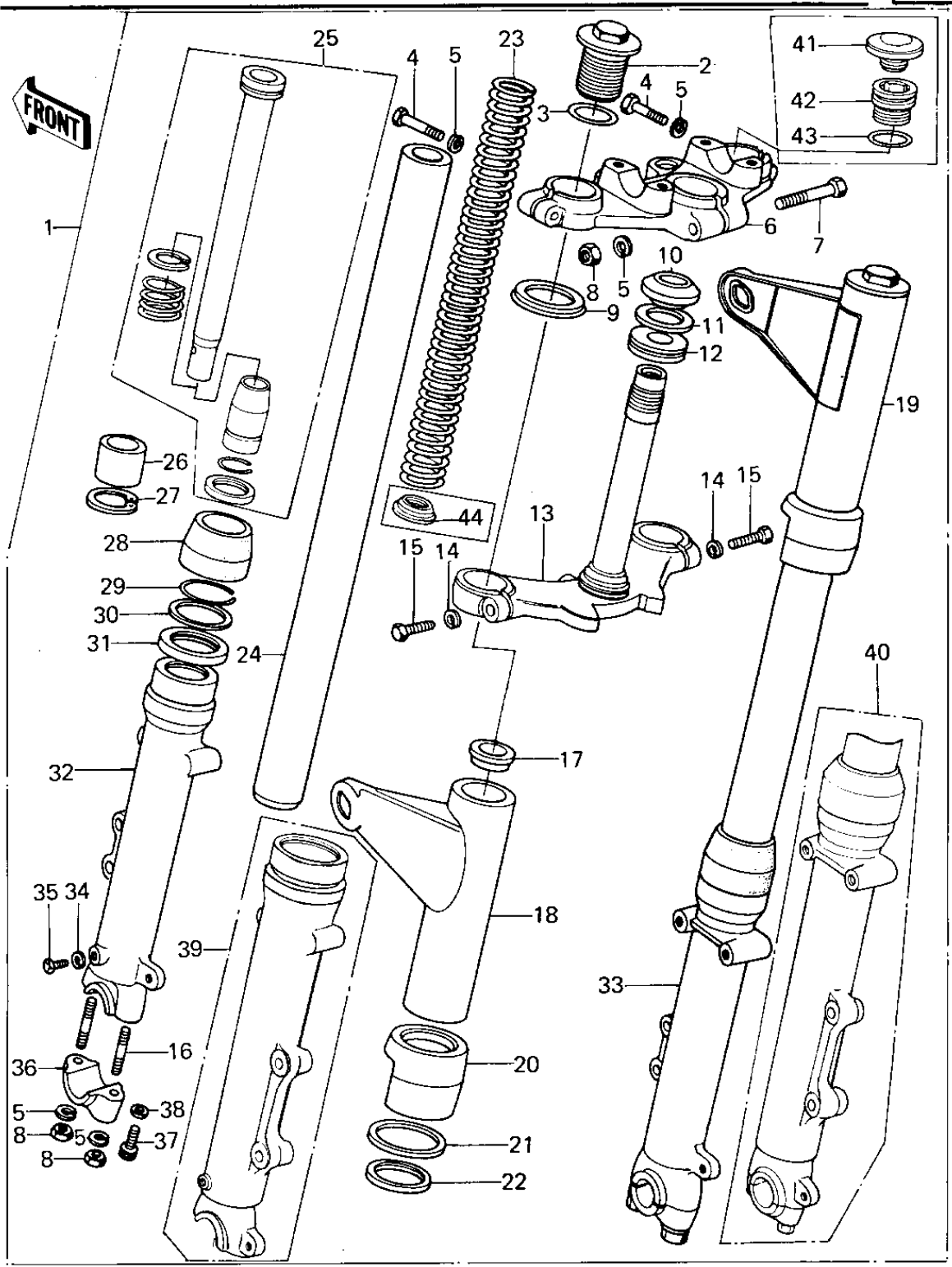


1977 KZ650-B1 PARTS DIAGRAM

FRONT FORK



1977 KZ650-B1 PARTS LIST

FRONT FORK

ITEM NAME	PART NUMBER	QUANTITY
FRONT FORK ASSY (Ref # 1)	44001-196	1
FORK-FRONT (Ref # 1)	44001-1023	1
BOLT,FORK TOP (Ref # 2)	44062-010	2
'O' RING FORK TOP (Ref # 3)	44046-015	2
BOLT-HEX HEAD.8M/M (Ref # 4)	44041-045	2
WASHER SPRING 8MM (Ref # 5)	461F0800	7
HEAD,STEERING STEM (Ref # 6)	44039-076	1
BOLT-STEERING STEM HD (Ref # 7)	44041-042	1
NUT,LOCK,8MM (Ref # 8)	92017-013	5
WASHER,FORK COVER (Ref # 9)	44064-005	2
CONE,STEERING STEM (Ref # 10)	92047-012	1
WASHER,PLAIN (Ref # 11)	92022-231	1
OIL SEAL,STEERING STM (Ref # 12)	92056-003	1
STEM,STEERING (Ref # 13)	44037-107	1
WASHER SPRING 12MM (Ref # 14)	461F1200	2
BOLT-HEX HEAD,12X36 (Ref # 15)	92003-064	2
STUD,8X35 (Ref # 16)	92004-1009	4
GUIDE,FORK SPRING (Ref # 17)	44028-043	2
COVER,L.H.-FORK (Ref # 18)	44033-1017	1
COVER,R.H,FORK (Ref # 19)	44033-1018	1
GUIDE,FORK COVER (Ref # 20)	44064-025	2
WASHER,FORK COU GUID (Ref # 21)	44064-008	2
GASKET,FORK COVER (Ref # 22)	44045-038	2
SPRING,FORK (Ref # 23)	44026-078	2
SPRING,FORK (Ref # 23)	44026-1006	2
TUBE,FORK INNER (Ref # 24)	44013-062	2
TUBE,FORK INNER (Ref # 24)	44013-1005	2
CYLINDER-FORK (Ref # 25)	44022-040	2
CYLINDER-FORK (Ref # 25)	44022-1004	2

1977 KZ650-B1 PARTS LIST

FRONT FORK

ITEM NAME	PART NUMBER	QUANTITY
PISTON,FORK (Ref # 26)	44018-009	2
CIRCLIP,FORK PISTON (Ref # 27)	44044-019	2
DUST SHEILD,FORK (Ref # 28)	44010-032	2
CIRCLIP-OIL SEAL FIT (Ref # 29)	44044-012	2
WASHER-OIL SEAL FIT (Ref # 30)	44043-044	2
SEAL-OIL,FORK OUTER P (Ref # 31)	92049-1216	2
TUBE,LH,FORK OUTER (Ref # 32)	44005-065	1
TUBE,RH,FORK OUTER (Ref # 33)	44006-063	1
GASKET FORK DRAIN PLG (Ref # 34)	44045-002	2
SCREW PAN HEAD 4X8 (Ref # 35)	220B0408	2
HOLDER,FRONT AXLE (Ref # 36)	44063-014	2
BOLT-FORK CYLINDER (Ref # 37)	44041-040	2
GASKET,FORK CYLINDER (Ref # 38)	44045-057	2
TUBE,LH,FORK OUTER (Ref # 39)	44005-1031	1
TUBE,RH,FORK OUTER (Ref # 40)	44006-1031	1
CAP,RUBBER (Ref # 41)	11012-1017	2
SEAT-FORK SPRING (Ref # 42)	44029-1046	2
"O" RING,FORK TOP (Ref # 43)	92055-1012	2
GUIDE,FORK SPRING (Ref # 44)	44028-1001	2