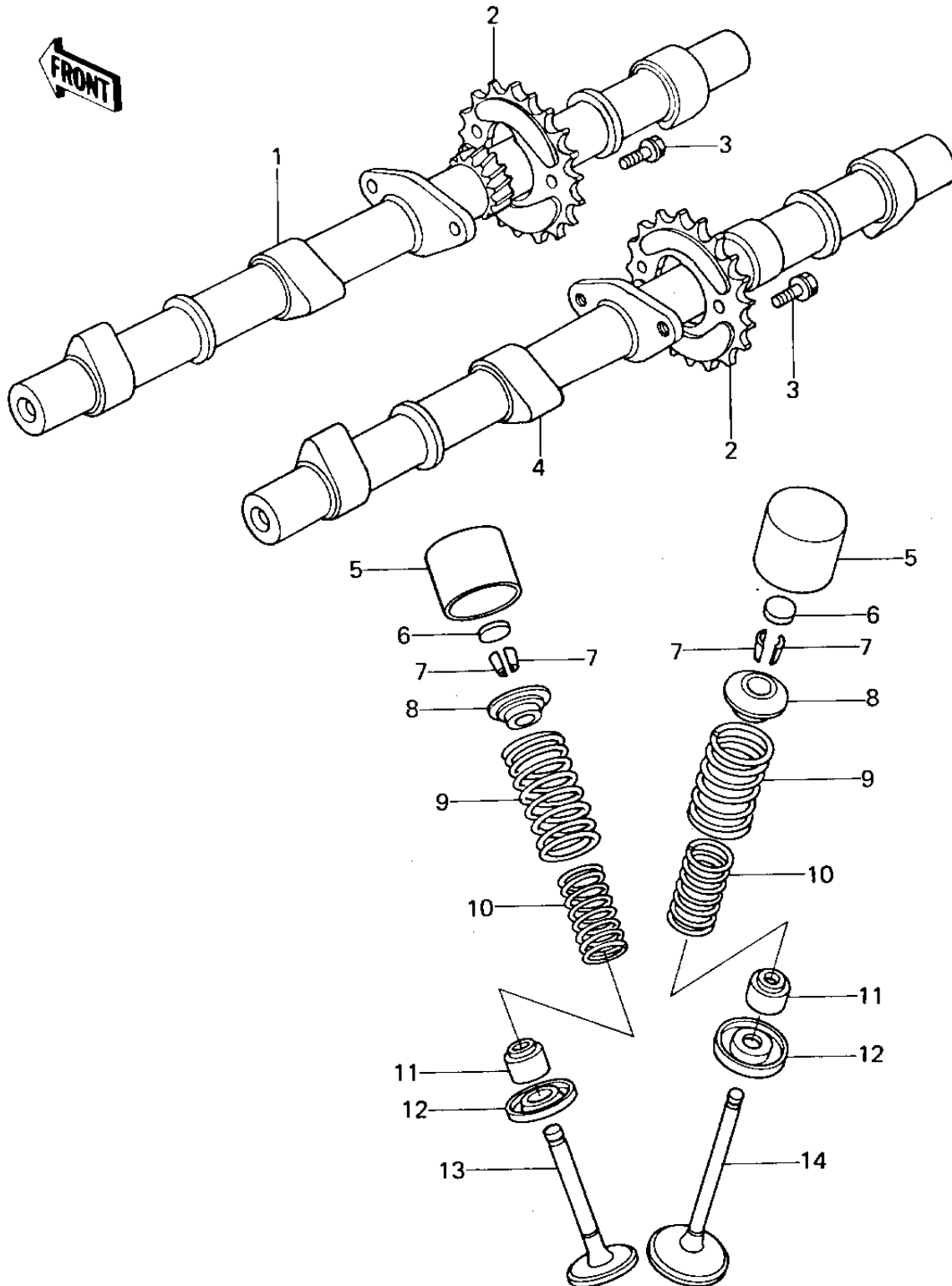


1978 KZ650-B2 PARTS DIAGRAM

CAMSHAFTS/VALVES



1978 KZ650-B2 PARTS LIST

CAMSHAFTS/VALVES

ITEM NAME	PART NUMBER	QUANTITY
CAM SHAFT,EXHAUST (Ref # 1)	12044-013	2
SPROCKET,CAM (Ref # 2)	12046-004	2
BOLT,SPROCKET FITTING (Ref # 3)	92003-208	2
CAM SHAFT,INLET (Ref # 4)	12044-012	2
TAPPET (Ref # 5)	12032-1001	2
TAPPET (Ref # 5)	12032-1001	2
SHIM,2.007 (Ref # 6)	92025-1090	2
SHIM,2.05T (Ref # 6)	92025-1091	2
SHIM,2.10T (Ref # 6)	92025-1092	2
SHIM,2.15T (Ref # 6)	92025-1093	2
SHIM,2.20T (Ref # 6)	92025-1094	2
SHIM,2.25T (Ref # 6)	92025-1095	2
SHIM,2.30T (Ref # 6)	92025-1096	2
SHIM,2.35T (Ref # 6)	92025-1097	2
SHIM,2.40T (Ref # 6)	92025-1098	2
SHIM,2.45T (Ref # 6)	92025-1099	2
SHIM,2.50T (Ref # 6)	92025-1100	2
SHIM T2.55 (Ref # 6)	92025-1101	2
SHIM,2.60T (Ref # 6)	92025-1102	2
SHIM,2.65T (Ref # 6)	92025-1103	2
SHIM,2.70T (Ref # 6)	92025-1104	2
SHIM,2.75T (Ref # 6)	92025-1105	2
SHIM,2.80T (Ref # 6)	92025-1106	2
SHIM,2.85T (Ref # 6)	92025-1107	2
SHIM,2.90T (Ref # 6)	92025-1108	2
SHIM,2.95 (Ref # 6)	92025-1109	2
SHIM,3.00T (Ref # 6)	92025-1110	2
SHIM,3.05T (Ref # 6)	92025-1111	2
SHIM,3.10T (Ref # 6)	92025-1112	2

1978 KZ650-B2 PARTS LIST

CAMSHAFTS/VALVES

ITEM NAME	PART NUMBER	QUANTITY
SHIM,3.15T (Ref # 6)	92025-1113	2
SHIM,3.20T (Ref # 6)	92025-1114	2
SPLIT KEEPER (Ref # 7)	12011-004	2
RETAINER,VALVE SPRING (Ref # 8)	12009-008	2
SPRING,OUTER VALVE (Ref # 9)	12007-012	2
SPRING,INNER VALVE (Ref # 10)	12007-011	2
OIL SEAL,RV37129.5 (Ref # 11)	92049-016	2
SEAT-SPRING,VALVE (Ref # 12)	16007-1024	2
VALVE,EXHAUST (Ref # 13)	12005-008	2
VALVE,INTAKE (Ref # 14)	12004-1011	2