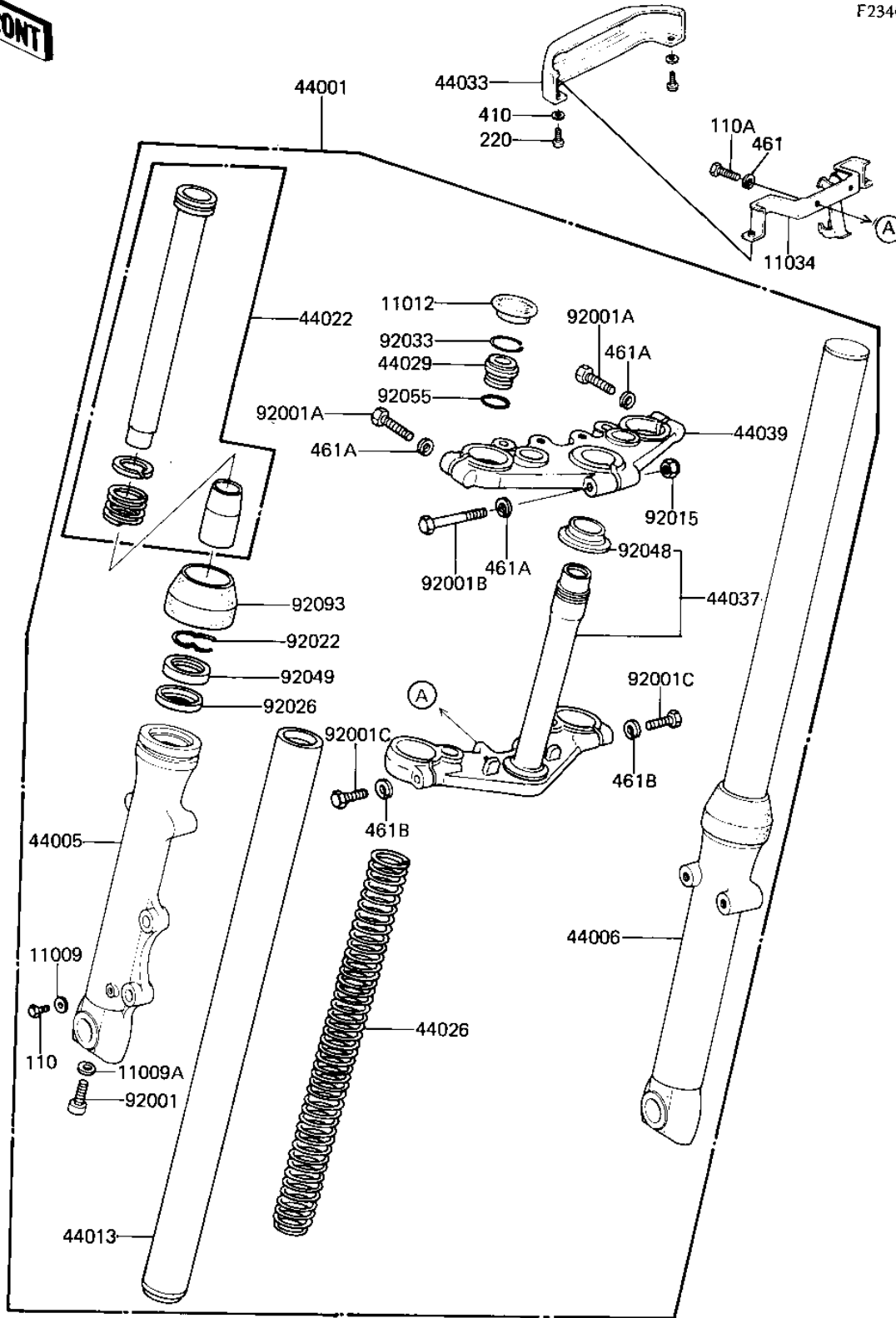


# 1982 CSR PARTS DIAGRAM

## FRONT FORK



F2340-0034



# 1982 CSR PARTS LIST

## FRONT FORK

ITEM NAME	PART NUMBER	QUANTITY
GASKET,DRAIN PLUG (Ref # 11009)	44045-047	2
GASKET,FORK CYL BOLT (Ref # 11009A)	44045-051	2
CAP,RUBBER,FORK TOP (Ref # 11012)	11012-1021	2
BRACKET,FORK COVER (Ref # 11034)	11034-1758	1
FORK-FRONT (Ref # 44001)	44001-1196	1
TUBE,LH,FORK OUTER (Ref # 44005)	44005-1053	1
TUBE,RH,FORK OUTER (Ref # 44006)	44006-1053	1
TUBE,FORK INNER (Ref # 44013)	44013-1025	2
CYLINDER-FORK (Ref # 44022)	44022-1048	2
SPRING,FORK INNER (Ref # 44026)	44026-1102	2
GUIDE,SPRING (Ref # 44029)	44029-022	1
COVER-FORK (Ref # 44033)	44033-1062	1
STEM,STEERING (Ref # 44037)	44037-1014	1
HOLDER-FORK UPPER (Ref # 44039)	44039-1012	1
BOLT,FORK CYLINDER (Ref # 92001)	44041-078	2
BOLT,HEX HEAD,8X40 (Ref # 92001A)	92001-1063	2
BOLT,HEX HEAD,8X55 (Ref # 92001B)	92001-1064	1
BOLT,HEX HEAD 10X35 (Ref # 92001C)	92001-1252	2
NUT,LOCK,8MM (Ref # 92015)	92015-1124	1
RING,OIL SEAL STOPER (Ref # 92022)	44043-057	2
SPACER,FORK (Ref # 92026)	92026-1005	2
CIRCLIP (Ref # 92033)	44044-023	2
CONE STRNG STEM BERNG (Ref # 92048)	92047-006	1
OIL SEAL,FORK (Ref # 92049)	92049-1077	2
"O" RING (Ref # 92055)	44046-025	2
DUST SHIELD,FORK (Ref # 92093)	92093-1063	2
BOLT HEX HEAD 6X8 (Ref # 110)	110B0608	2
BOLT-UPSET,6X12 (Ref # 110A)	112G0612	2
SCREW PAN HEAD 4X10 (Ref # 220)	220B0410	2

# 1982 CSR PARTS LIST

## FRONT FORK

ITEM NAME	PART NUMBER	QUANTITY
WASHER PLAIN 4MM (Ref # 410)	410B0400	2
WASHER SPRING 6MM (Ref # 461)	461F0600	2
WASHER SPRING 8MM (Ref # 461A)	461F0800	3
WASHER SPRING 10MM (Ref # 461B)	461F1000	2