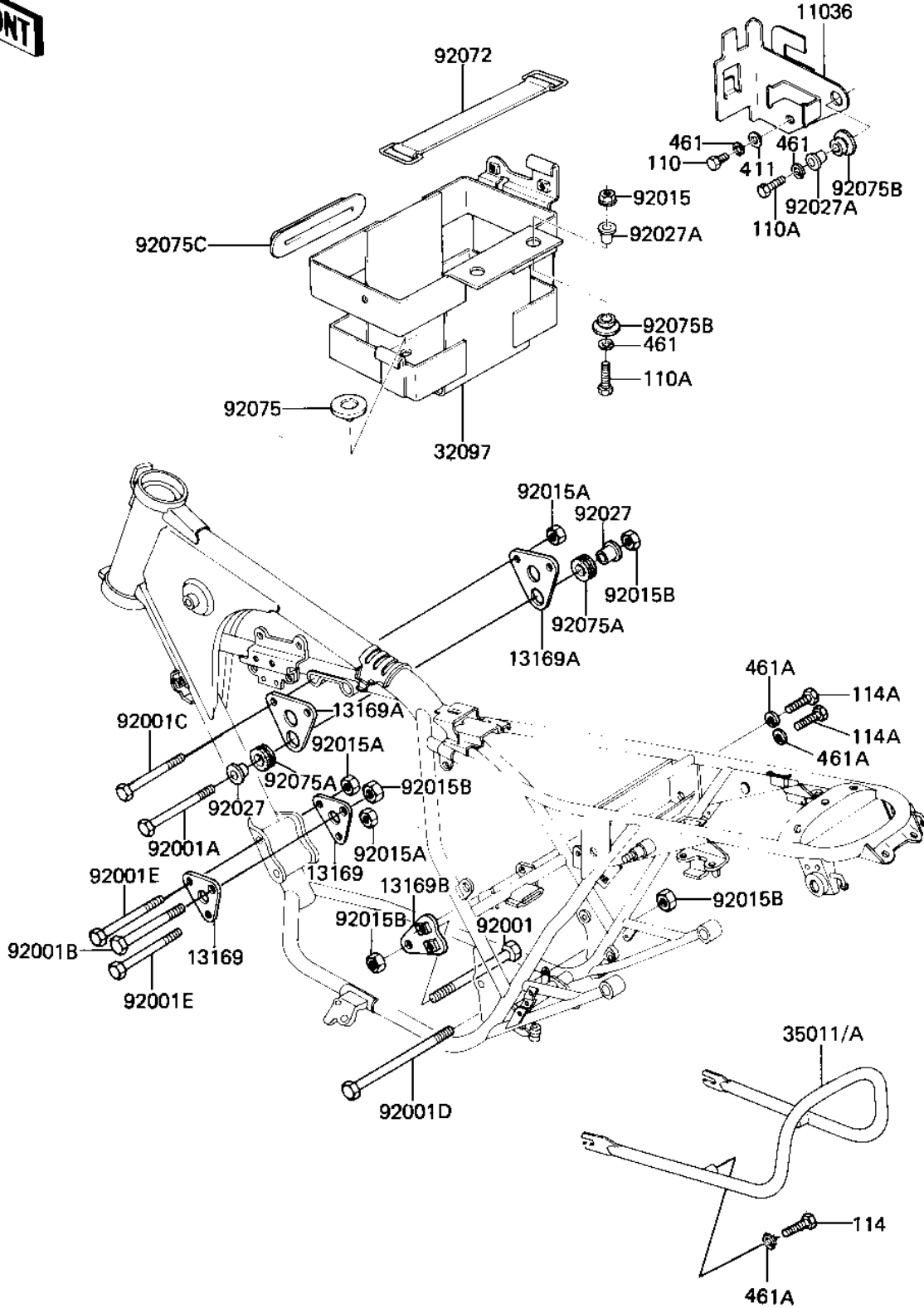


1982 CSR PARTS DIAGRAM

FRAME FITTINGS/BATTERY CASE



F2131-0034



1982 CSR PARTS LIST

FRAME FITTINGS/BATTERY CASE

ITEM NAME	PART NUMBER	QUANTITY
BRACKET,ELECTRO BASE (Ref # 11036)	11036-1050	1
PLATE,ENGINE,FR (Ref # 13169)	13169-1111	2
PLATE,ENGINE,HEAD (Ref # 13169A)	13169-1112	2
PLATE, ENGINE REAR UP (Ref # 13169B)	13169-1113	1
CASE-BATTERY (Ref # 32097)	32097-1053	1
STAY,RR (Ref # 35011A)	35011-1107	1
BOLT,HEX HEAD,10X130 (Ref # 92001)	92001-1249	1
BOLT,FLANGED,10X70 (Ref # 92001A)	92001-1618	1
BOLT, FLANGED, 10X110 (Ref # 92001B)	92001-1602	1
BOLT,10X45 (Ref # 92001C)	92001-1182	2
BOLT,FLANGED,10X145 (Ref # 92001D)	92001-1605	1
BOLT,FLANGED,8X110 (Ref # 92001E)	92001-1597	2
NUT-6MM (Ref # 92015)	92015-1078	2
NUT,LOCK,8MM (Ref # 92015A)	92015-1124	4
NUT,10MM (Ref # 92015B)	92015-1429	4
COLLAR,ENGINE HEAD (Ref # 92027)	92027-1116	2
COLLAR (Ref # 92027A)	92027-194	3
BAND BATTERY (Ref # 92072)	92072-006	1
DAMPER RUBBER (Ref # 92075)	92075-078	4
DAMPER RUBBER,MUFFLER (Ref # 92075A)	92075-1086	2
DAMPER RUBBER (Ref # 92075B)	92075-277	3
DAMPER RUBBER (Ref # 92075C)	92075-280	1
BOLT-UPSET,6X12 (Ref # 110)	112G0612	1
BOLT 6X22 (Ref # 110A)	112B0622	3
BOLT-SMALL-UPSET,8X16 (Ref # 114)	115G0816	2
BOLT,8X20 (Ref # 114A)	115G0820	2
WASHER PLAIN 6MM (Ref # 411)	411B0600	1
WASHER SPRING 6MM (Ref # 461)	461F0600	4
WASHER SPRING 8MM (Ref # 461A)	461F0800	4