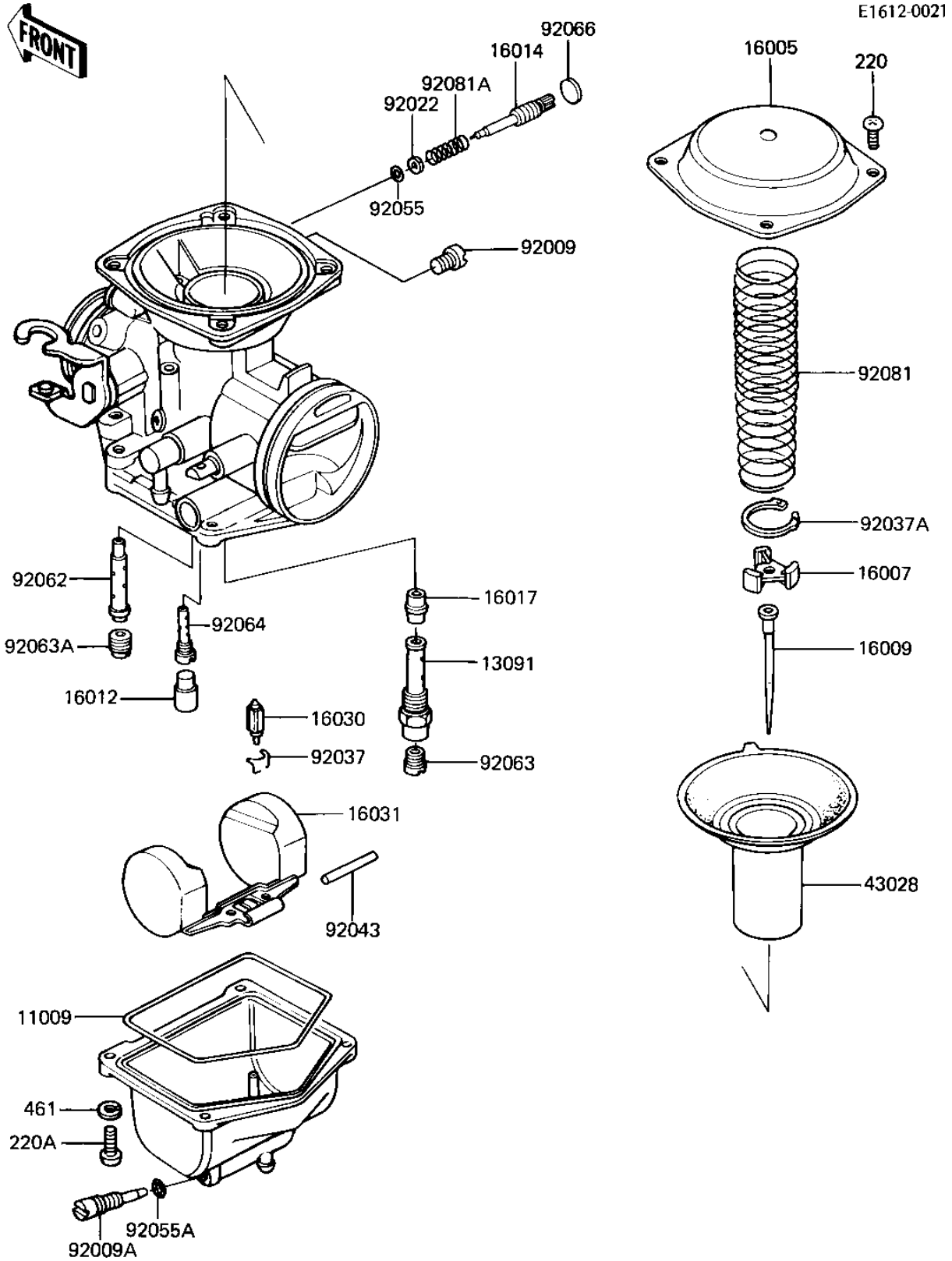


1982 CSR PARTS DIAGRAM

CARBURETOR PARTS



1982 CSR PARTS LIST

CARBURETOR PARTS

ITEM NAME	PART NUMBER	QUANTITY
"O" RING,FLOAT BALL (Ref # 11009)	16019-024	2
HOLDER,NEEDLE JET (Ref # 13091)	13091-1050	2
TOP,MIXING CHAMBER (Ref # 16005)	16005-1001	2
COLLAR (Ref # 16007)	16007-1001	2
JET NEEDLE,#N05C (Ref # 16009)	16009-1081	2
CAP,RUBBER (Ref # 16012)	16012-1001	2
SCREW,PILOT ADJUST (Ref # 16014)	16014-1029	2
NEEDLE JET (Ref # 16017)	16017-1079	2
FLOAT VALVE (Ref # 16030)	16030-1007	2
FLOAT (Ref # 16031)	16031-1001	2
VACUUM,PISTON (Ref # 43028)	43028-1023	2
SCREW,PLUG (Ref # 92009)	92009-1004	2
SCREW,DRAIN (Ref # 92009A)	92009-1095	2
WASHER,PLAIN (Ref # 92022)	92022-1003	2
CLIP,FLOAT VALVE (Ref # 92037)	16044-007	2
CIRCLIP (Ref # 92037A)	92037-1005	2
FLOAT PIN (Ref # 92043)	92043-1002	2
O RING,PILOT ADJ (Ref # 92055)	92055-1002	2
"O" RING,DRAIN SCREW (Ref # 92055A)	92055-1053	2
NOZZLE,MAIN (Ref # 92062)	92062-1018	2
MAIN JET,2ND,#85 (Ref # 92063)	92063-1023	2
MAIN JET,PRI,#62 (Ref # 92063A)	92063-1070	2
PILOT JET,#35 (Ref # 92064)	92064-1001	2
PLUG,PILOT SCREW (Ref # 92066)	92066-1051	2
SPRING (Ref # 92081)	92081-1001	2
SPRING,PIROT ADJ SCRW (Ref # 92081A)	92081-1002	2
SCREW PAN HEAD 4X8 (Ref # 220)	220B0408	7
SCREW-PAN-CRSOSS,4X12 (Ref # 220A)	220B0412	8
WASHER SPRING 4MM (Ref # 461)	461F0400	8