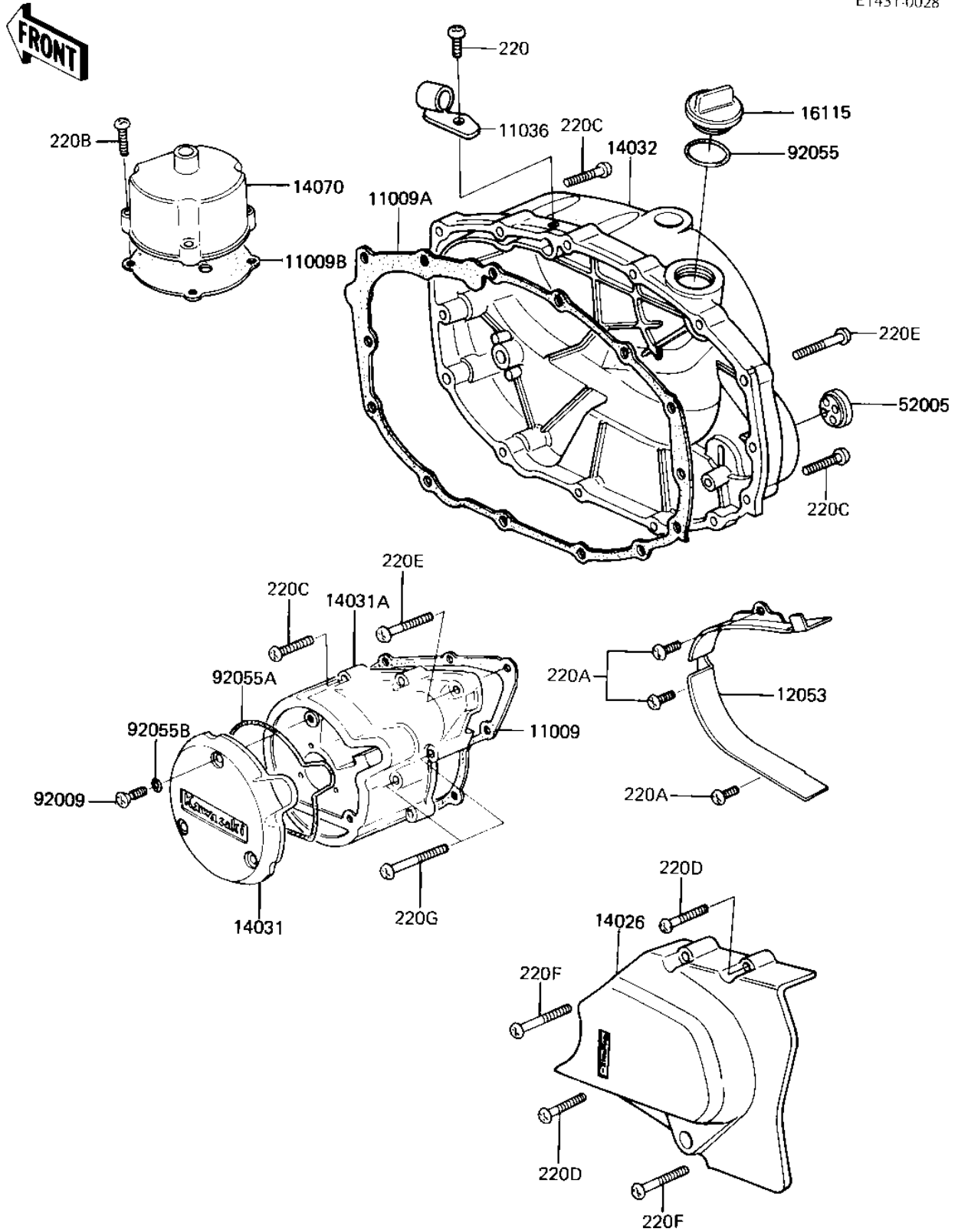


1982 CSR PARTS DIAGRAM

ENGINE COVERS (KZ305-A2)

E1431-0028



1982 CSR PARTS LIST

ENGINE COVERS (KZ305-A2)

ITEM NAME	PART NUMBER	QUANTITY
GASKET,GENERATOR COVE (Ref # 11009)	11060-1060	1
GASKET,CLUTCH COVER (Ref # 11009A)	11060-1061	1
GASKET,BREATHER BODY (Ref # 11009B)	11009-1239	1
BRACKET-A (Ref # 11036)	11036-1124	1
GUIDE-CHAIN (Ref # 12053)	12053-1023	1
COVER-CHAIN (Ref # 14026)	14026-1102	1
COVER-GENERATOR,CAP (Ref # 14031)	14031-1018	1
COVER-GENERATOR (Ref # 14031A)	14031-1063	1
COVER-CLUTCH (Ref # 14032)	14032-1070	1
BODY-BREATHER (Ref # 14070)	14070-1002	1
PLUG,OIL FILLER (Ref # 16115)	16115-013	1
GAUGE,OIL LEVEL (Ref # 52005)	52005-1009	1
SCREW OVL CNTSK 6X25 (Ref # 92009)	222E0625	3
"O" RING,31MM (Ref # 92055)	92055-049	1
"O" RING,DYNAMO COVER (Ref # 92055A)	92055-108	1
"O" RING,DYNAMO COVER (Ref # 92055B)	92055-109	3
SCREW PAN HEAD 6X12 (Ref # 2)	220B0612	1
SCREW PAN HEAD 6X14 (Ref # 220A)	220B0614	3
SCREW PAN HEAD 6X25 (Ref # 220B)	220B0625	4
SCREW PAN HEAD 6X30 (Ref # 220C)	220B0630	17
SCREW PAN HEAD 6X35 (Ref # 220D)	220B0635	2
SCREW PAN HEAD 6X40 (Ref # 220E)	220B0640	4
SCREW PAN HEAD 6X45 (Ref # 220F)	220B0645	2
SCREW PAN HEAD 6X55 (Ref # 220G)	220B0655	2