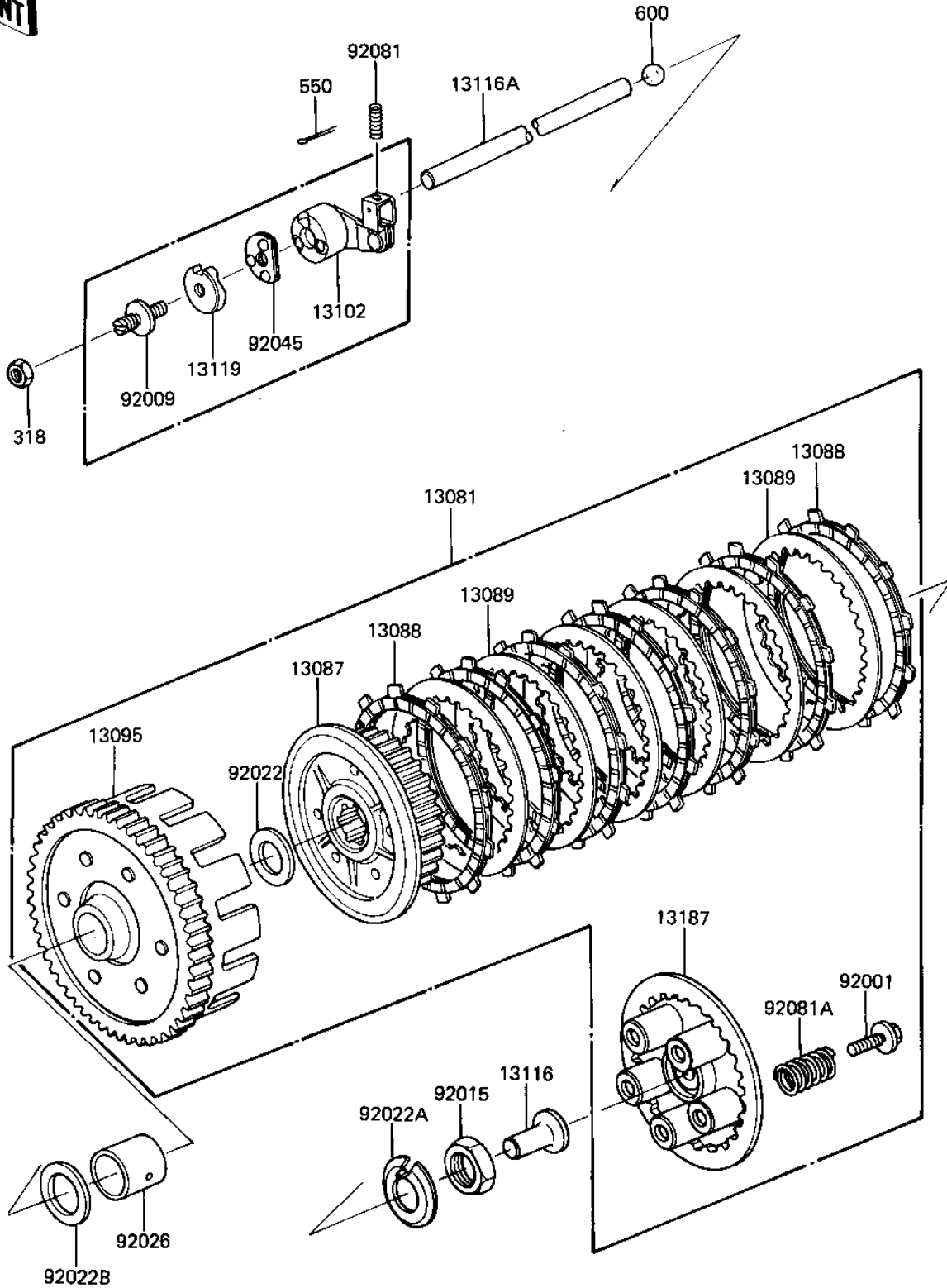


1982 CSR PARTS DIAGRAM

CLUTCH (KZ305-A1)



E1350-0014



1982 CSR PARTS LIST

CLUTCH (KZ305-A1)

ITEM NAME	PART NUMBER	QUANTITY
CLUTCH-ASSY (Ref # 13081)	13081-1048	1
HUB-CLUTCH (Ref # 13087)	13087-1005	1
PLATE-FRICTION (Ref # 13088)	13088-1009	7
PLATE,CLUTCH,STEEL (Ref # 13089)	13089-1005	6
HOUSING-COMP-CLUTCH (Ref # 13095)	13095-1020	1
RELEASE, CLUTCH (Ref # 13102)	13102-1004	1
ROD-PUSH,CLUTCH (Ref # 13116)	13116-1010	1
ROD-PUSH,CLUTCH,7X242 (Ref # 13116A)	13116-1031	1
CAM,RELEASE,CLUTCH (Ref # 13119)	13119-1003	1
PLATE-CLUTCH OPERATIN (Ref # 13187)	13187-1009	1
BOLT,CLUTCH SPR FITT (Ref # 92001)	92001-1066	5
SCREW,SLOTTED,8M/M (Ref # 92009)	92009-1009	1
NUT 20MM (Ref # 92015)	92016-028	1
WASHER PLAIN (Ref # 92022)	92022-1075	1
WASHER,LOCK,20MM (Ref # 92022A)	92022-1142	1
WASHER TH 25.5X38X1T (Ref # 92022B)	92022-145	1
SPACER,CLUTCH BUSHING (Ref # 92026)	92026-1052	1
BEARING,BALL,CLUTCH (Ref # 92045)	92045-1001	1
SPRING-CLUTCH RELEASE (Ref # 92081)	92081-069	1
SPRING,CLUTCH (Ref # 92081A)	92081-1078	5
NUT 8MM (Ref # 318)	318B0800	1
PIN COTTER 1.6X15 (Ref # 550)	550D1615	1
BALL STEEL 3/8' (Ref # 600)	600A1200	1