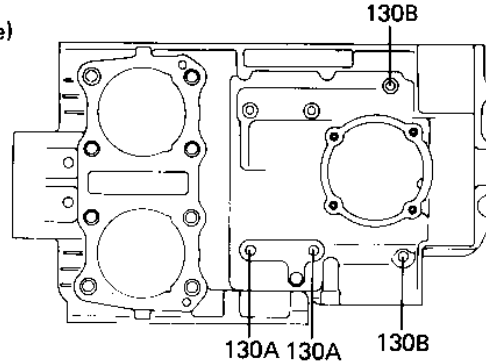


1981 CSR PARTS DIAGRAM

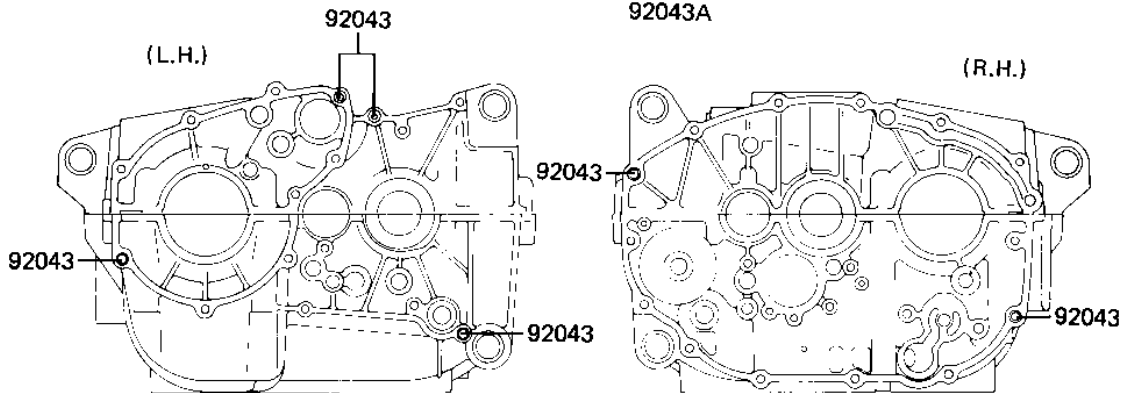
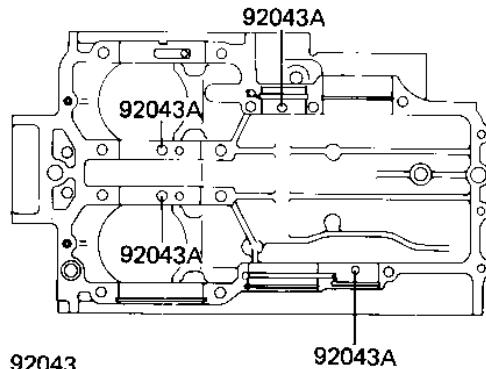
CRANKCASE BOLT & STUD PATTERN

E1412-0005

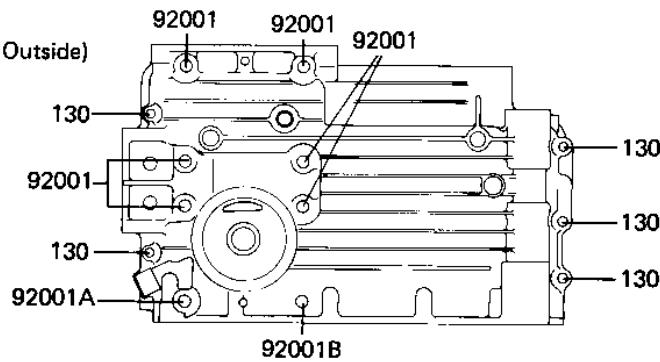
Upper Case (Outside)



Upper Case (Inside)



Lower Case (Outside)



1981 CSR PARTS LIST

CRANKCASE BOLT & STUD PATTERN

ITEM NAME	PART NUMBER	QUANTITY
BOLT (Ref # 92001)	92001-1480	6
BOLT (Ref # 92001A)	92001-1481	1
BOLT,8X140 (Ref # 92001B)	92002-1059	1
PIN-DOWEL (Ref # 92043)	92042-007	6
PIN DOWEL 6MM (Ref # 92043A)	92042-016	4
BOLT,FLANGED,6X35 (Ref # 130)	130H0635	5
BOLT,FLANGED,6X55 (Ref # 130A)	130G0655	2
BOLT-FLANGED,6X90 (Ref # 130B)	130G0690	2