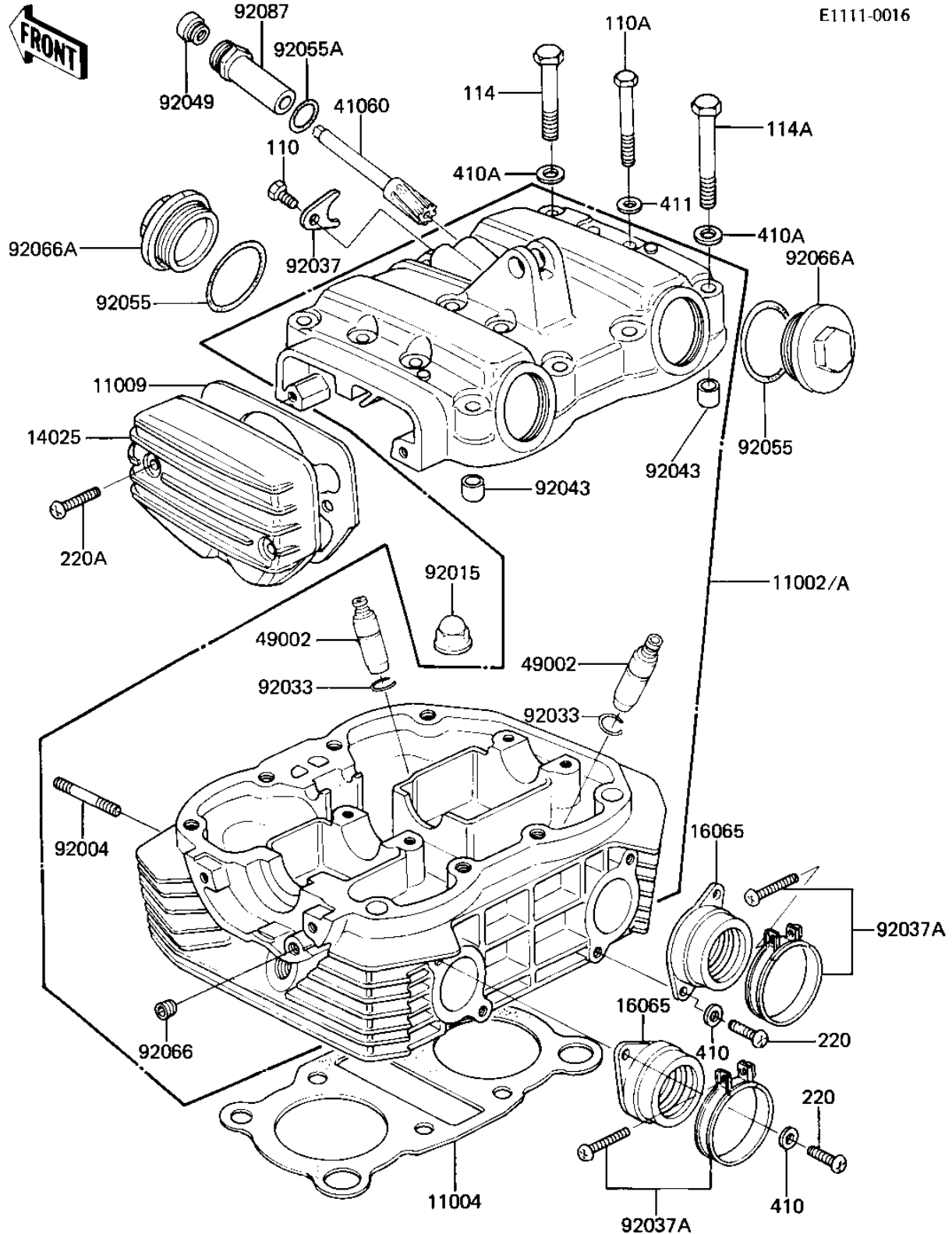


# 1982 CSR PARTS DIAGRAM

## CYLINDER HEAD/COVERS



# 1982 CSR PARTS LIST

## CYLINDER HEAD/COVERS

ITEM NAME	PART NUMBER	QUANTITY
HEAD-ASSY-CYLINDER,SI (Ref # 11002)	11002-1096	1
GASKET-HEAD (Ref # 11004)	11004-1220	1
GASKET,BREAKER (Ref # 11009)	11009-1067	1
COVER,BREAKER,BARREL (Ref # 14025)	14025-1208	1
HOLDER-CARBURETOR (Ref # 16065)	16065-1013	2
GEAR-METER SCREW,10T (Ref # 41060)	41060-1020	1
GUIDE-VALVE (Ref # 49002)	49002-1021	4
STUD,6X46 (Ref # 92004)	92004-049	4
NUT,CAP,8MM (Ref # 92015)	92015-1151	8
CIRCLIP-VALVE (Ref # 92033)	92036-023	4
CLAMP,METER GEAR (Ref # 92037)	92037-1030	1
CLAMP,53M/M (Ref # 92037A)	92037-201	2
PIN,DOWEL,12MM (Ref # 92043)	92042-031	2
OIL SEAL (Ref # 92049)	92050-075	1
"O" RING,VLV ADJUST (Ref # 92055)	92055-1005	4
"O" RING,METER GEAR (Ref # 92055A)	92055-1021	1
PLUG,OIL SWITCH (Ref # 92066)	92066-059	1
PLUG,VLV ADJUST (Ref # 92066A)	92066-1006	4
BUSHING,METER GEAR (Ref # 92087)	92087-1001	1
BOLT-UPSET 6X14 (Ref # 110)	112B0614	1
BOLT,HEX HEAD,6X50 (Ref # 110A)	110G0650	5
BOLT HEX HEAD 8X50 (Ref # 114)	114G0850	6
BOLT-SMALL (Ref # 114A)	114G0860	2
SCREW PAN HEAD 6X18 (Ref # 220)	220B0618	4
SCREW PAN HEAD 6X25 (Ref # 220A)	220B0625	2
WASHER PLAIN 6MM (Ref # 410)	410B0600	4
WASHER PLAIN 8MM (Ref # 410A)	410B0800	8
WASHER PLAIN 6MM (Ref # 411)	411B0600	5