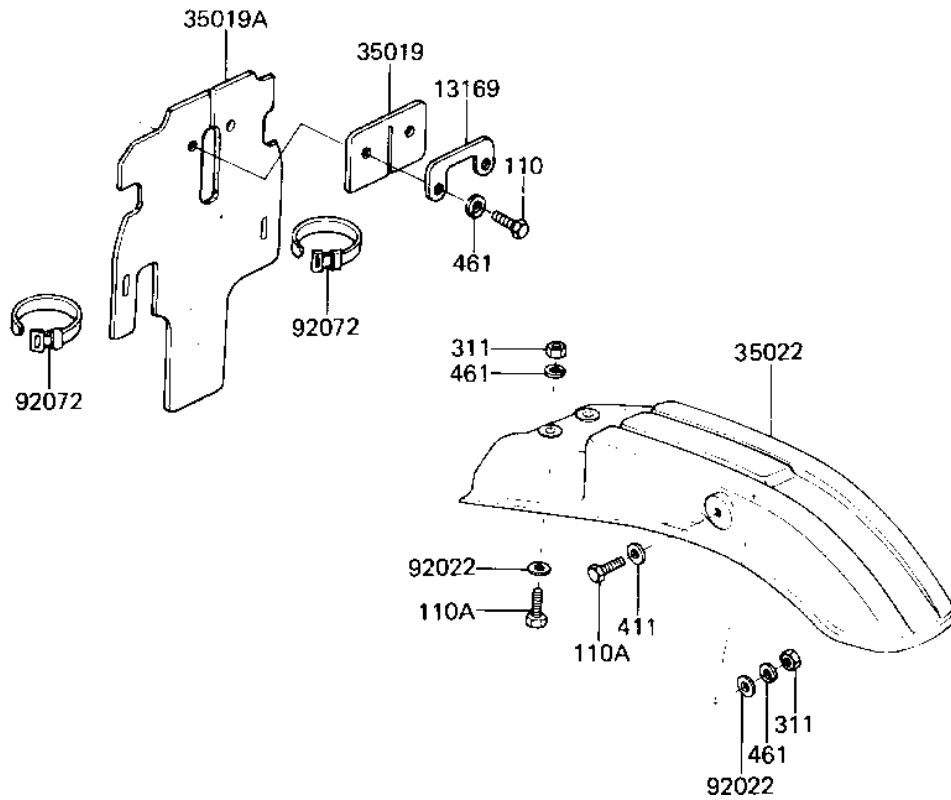
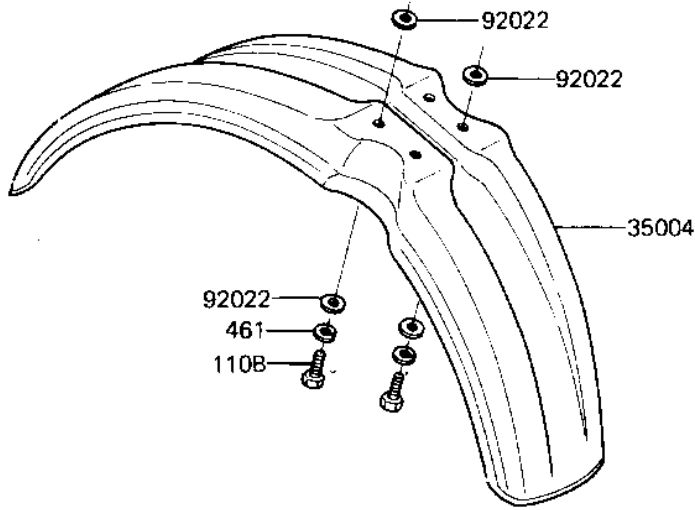


1982 KDX80 PARTS DIAGRAM

FENDERS

F2170-0043



1982 KDX80 PARTS LIST

FENDERS

ITEM NAME	PART NUMBER	QUANTITY
PLATE,REAR FLAP (Ref # 13169)	13169-1407	1
FENDER-FR,L.GREEN (Ref # 35004)	35004-1055-6W	1
FLAP,REAR FENDER (Ref # 35019)	35019-1019	1
FLAP,FENDER (Ref # 35019A)	35019-1024	1
FENDER-RR,L.GREEN (Ref # 35022)	35022-1084-6W	1
WASHER 6.5X20X1.6T (Ref # 92022)	92022-125	12
BAND,SHORT (Ref # 92072)	92072-030	2
BOLT-UPSET 6X14 (Ref # 110)	112B0614	2
BOLT-UPSET,6X16 (Ref # 110A)	112G0616	4
BOLT-UPSET (Ref # 110B)	112G0618	4
NUT 6MM (Ref # 311)	311B0600	4
WASHER PLAIN 6MM (Ref # 411)	411B0600	2
WASHER SPRING 6MM (Ref # 461)	461F0600	10