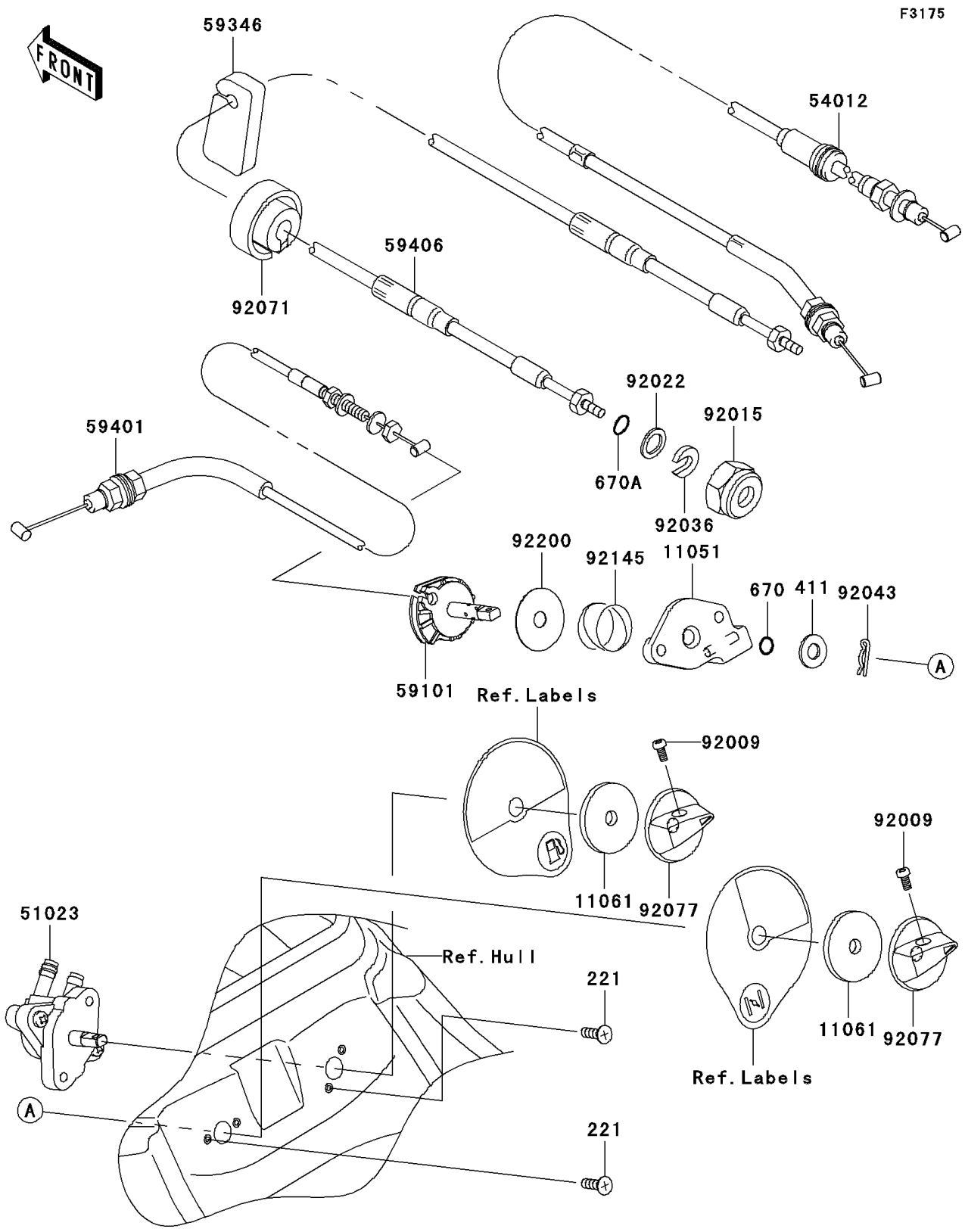


# 2010 800 SX-R PARTS DIAGRAM

Cables



## 2010 800 SX-R PARTS LIST

### Cables

ITEM NAME	PART NUMBER	QUANTITY
SCREW-CSK-CROS,5X14 (Ref # 221)	221R0514	4
WASHER-PLAIN,8MM (Ref # 411)	411S0800	1
O RING,8MM (Ref # 670)	670B1508	1
O RING,11MM (Ref # 670A)	670B2011	1
BRACKET,STARTER CABLE (Ref # 11051)	11051-3744	1
GASKET (Ref # 11061)	11061-3734	2
TAP-ASSY,FUEL (Ref # 51023)	51023-3738	1
CABLE-THROTTLE (Ref # 54012)	54012-3773	1
REEL (Ref # 59101)	59101-3716	1
DETENT (Ref # 59346)	59346-504	1
CABLE-CHOKE (Ref # 59401)	59401-3725	1
CABLE-STRG (Ref # 59406)	59406-3776	1
SCREW,4X8 (Ref # 92009)	92009-3729	2
NUT,20MM (Ref # 92015)	92015-526	1
WASHER (Ref # 92022)	92022-535	1
RING-SNAP (Ref # 92036)	92036-501	1
PIN (Ref # 92043)	92043-3752	1
GROMMET (Ref # 92071)	92071-3774	1
KNOB,CABLE (Ref # 92077)	92077-3733	2
SPRING (Ref # 92145)	92145-3712	1
WASHER,8.5X34X0.5 (Ref # 92200)	92200-3770	1