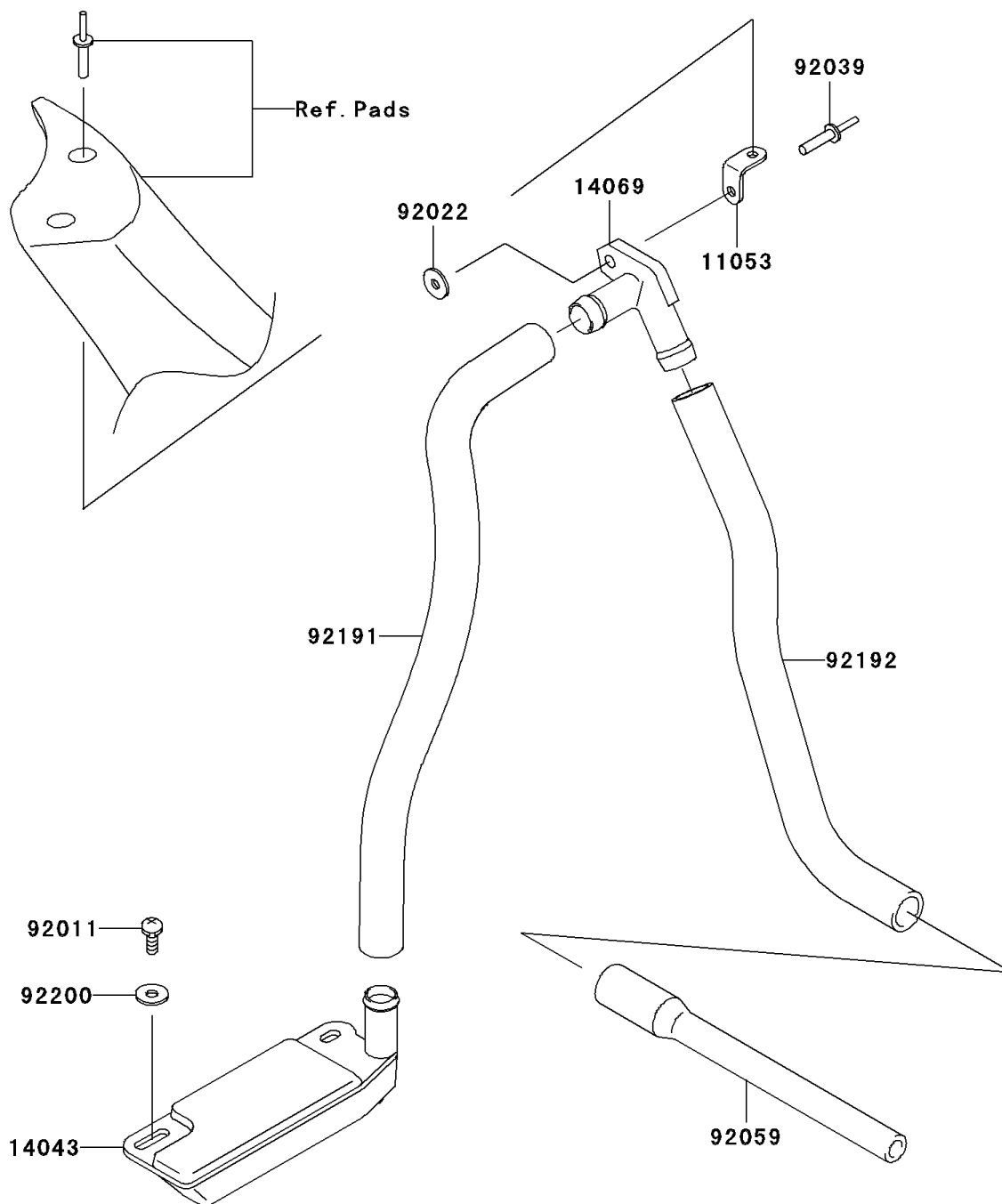


## 2009 Jet Ski® 800 SX-R™ PARTS DIAGRAM

Bilge System

F3145



## 2009 Jet Ski® 800 SX-R™ PARTS LIST

Bilge System

ITEM NAME	PART NUMBER	QUANTITY
BRACKET (Ref # 11053)	11053-3754	1
FILTER (Ref # 14043)	14043-3708	1
BREATHER (Ref # 14069)	14069-3708	1
SCREW,TAPPING (Ref # 92011)	92011-561	1
WASHER,5X16X1.5 (Ref # 92022)	92022-3041	1
RIVET (Ref # 92039)	92039-3775	1
TUBE,L=200 (Ref # 92059)	92059-3894	1
TUBE,BILGE (Ref # 92191)	92191-3975	1
TUBE (Ref # 92192)	92192-3706	1
WASHER,5.9X16X1.5 (Ref # 92200)	92200-3714	1