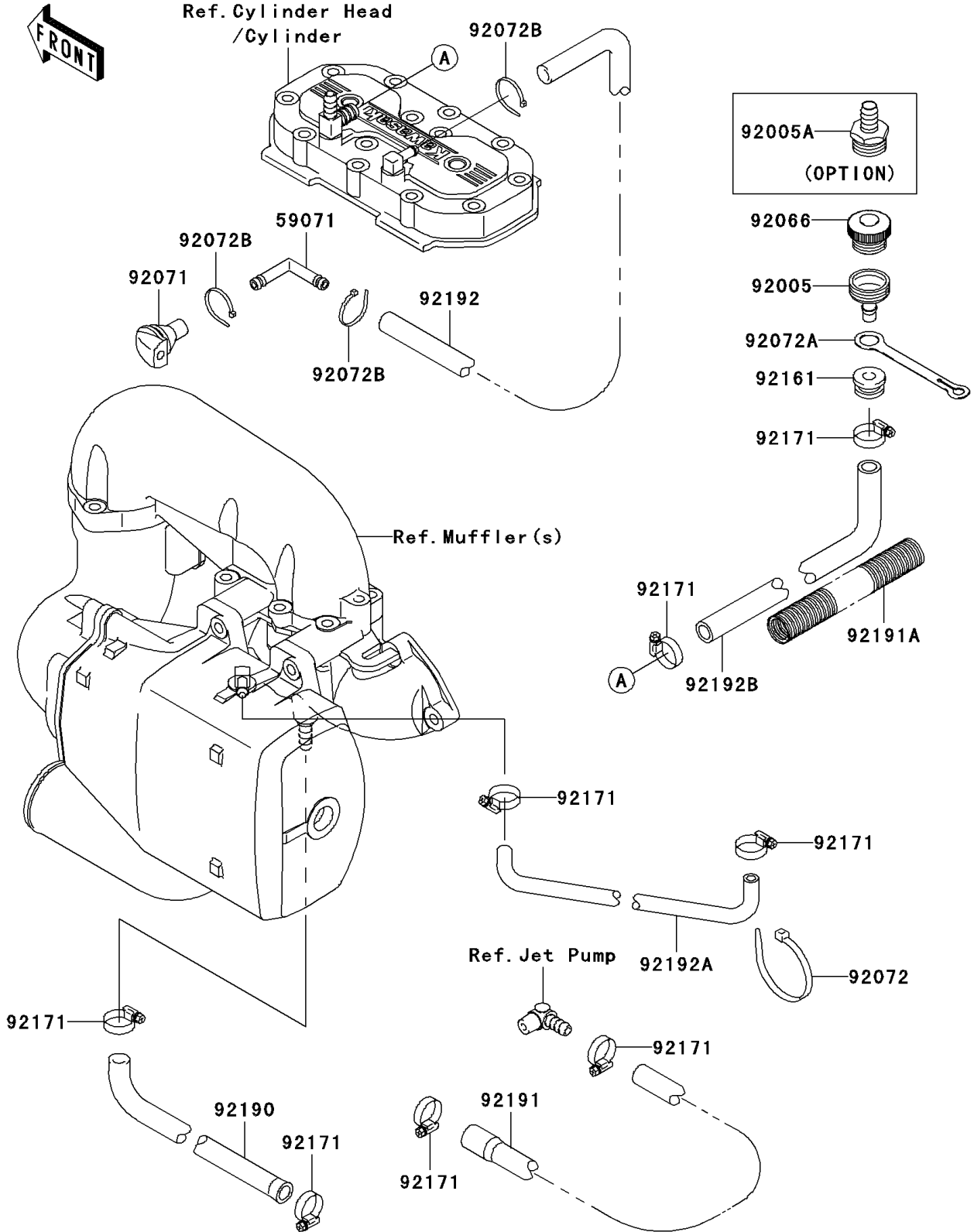


# 2010 800 SX-R PARTS DIAGRAM

Cooling

E3035



## 2010 800 SX-R PARTS LIST

### Cooling

ITEM NAME	PART NUMBER	QUANTITY
JOINT (Ref # 59071)	59071-3736	1
FITTING,FLUSH (Ref # 92005)	92005-3744	1
FITTING,FLUSH (Ref # 92005A)	92005-3748	1
PLUG (Ref # 92066)	92066-3787	1
GROMMET (Ref # 92071)	92071-3815	1
BAND,L=188.85 (Ref # 92072)	92072-0105	1
BAND (Ref # 92072A)	92072-3877	1
BAND,L=100.08 (Ref # 92072B)	92072-3882	3
DAMPER (Ref # 92161)	92161-0016	1
CLAMP (Ref # 92171)	92171-3714	8
TUBE,9X16X450 (Ref # 92190)	92190-3914	1
TUBE,PUMP-HULL (Ref # 92191)	92191-3722	1
TUBE (Ref # 92191A)	92191-3884	1
TUBE,7X12X1180 (Ref # 92192)	92192-3704	1
TUBE,MUFFLER-HULL (Ref # 92192A)	92192-3720	1
TUBE,HEAD-FLUSH (Ref # 92192B)	92192-3744	1