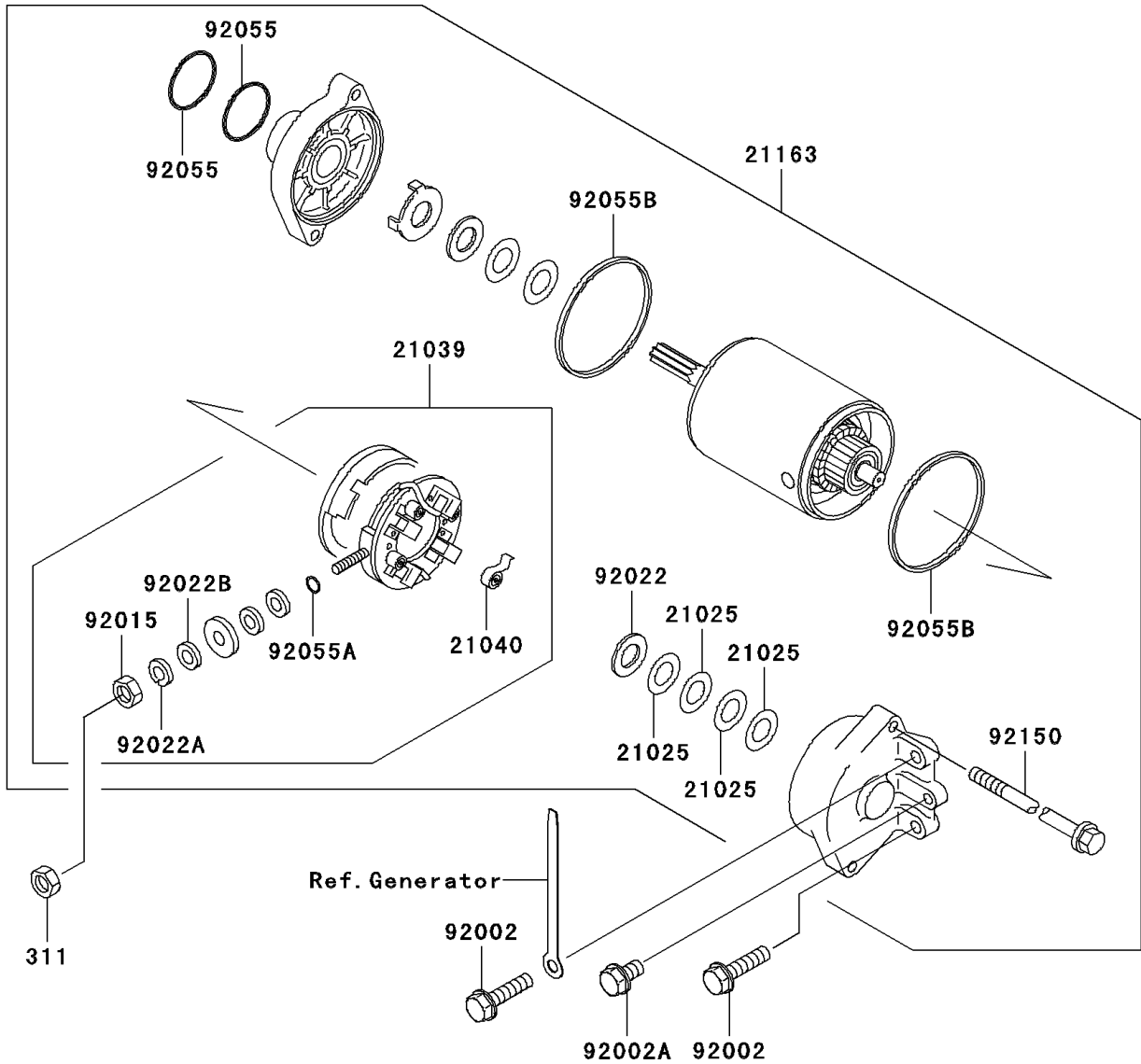
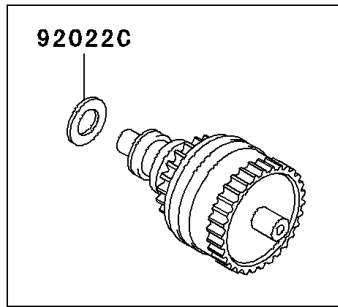


# 2008 800 SX-R PARTS DIAGRAM

Starter Motor

E1840



## 2008 800 SX-R PARTS LIST

### Starter Motor

| ITEM NAME                           | PART NUMBER | QUANTITY |
|-------------------------------------|-------------|----------|
| NUT-HEX,6MM (Ref # 311)             | 311R0600    | 1        |
| GEAR-ASSY (Ref # 13101)             | 13101-3708  | 1        |
| WASHER,9.1X18X0.2 (Ref # 21025)     | 21025-011   | 4        |
| BRUSH,CARBON (Ref # 21039)          | 21039-3703  | 1        |
| SPRING-BRUSH (Ref # 21040)          | 21040-1055  | 4        |
| STARTER-ELECTRIC (Ref # 21163)      | 21163-3714  | 1        |
| BOLT,6X25 (Ref # 92002)             | 92002-3714  | 2        |
| BOLT,6X12 (Ref # 92002A)            | 92002-3763  | 1        |
| NUT,6MM (Ref # 92015)               | 92015-3710  | 1        |
| WASHER,9.1X18X0.8 (Ref # 92022)     | 92022-1132  | 1        |
| WASHER,6MM (Ref # 92022A)           | 92022-3711  | 1        |
| WASHER,6MM (Ref # 92022B)           | 92022-3713  | 1        |
| WASHER,12X24X1.0 (Ref # 92022C)     | 92022-3731  | 1        |
| RING-O (Ref # 92055)                | 92055-1276  | 2        |
| RING-O,4.5X2.0 (Ref # 92055A)       | 92055-1370  | 1        |
| RING-O,STARTER MOTOR (Ref # 92055B) | 92055-1381  | 2        |
| BOLT (Ref # 92150)                  | 92150-3772  | 2        |