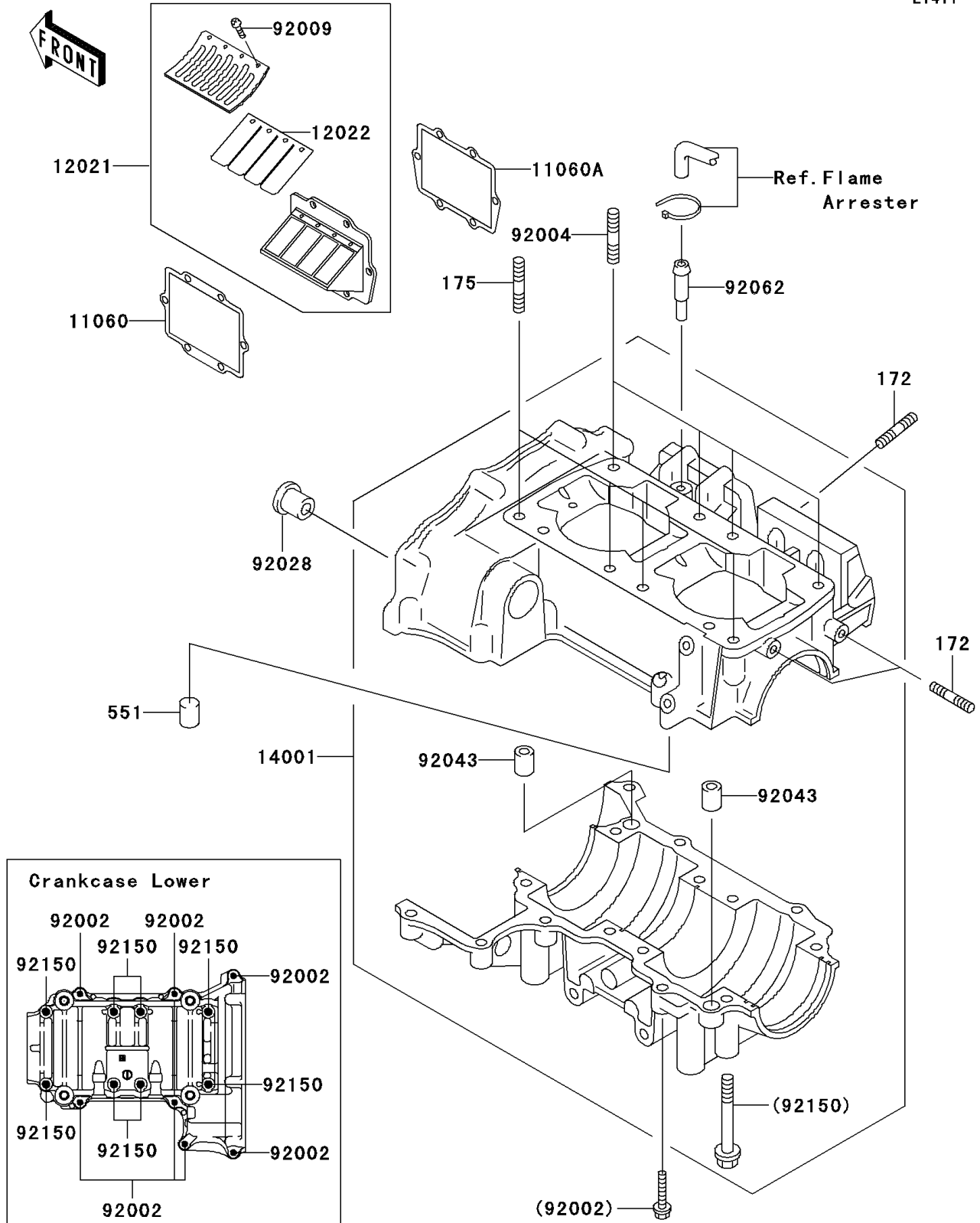


## 2009 Jet Ski® 800 SX-R™ PARTS DIAGRAM

Crankcase

E1411



## 2009 Jet Ski® 800 SX-R™ PARTS LIST

Crankcase

ITEM NAME	PART NUMBER	QUANTITY
BOLT-STUD,6X20 (Ref # 172)	172R0620	1
BOLT-STUD-FINE,10X35 (Ref # 175)	175R1035	1
PIN-DOWEL (Ref # 551)	551R0612	1
GASKET,REED VALVE (Ref # 11060)	11060-3717	1
GASKET,REED VALVE (Ref # 11060A)	11060-3757	1
VALVE-ASSY-REED (Ref # 12021)	12021-3708	1
VALVE-REED (Ref # 12022)	12022-3703	1
SET-CRANKCASE (Ref # 14001)	14001-5391	1
BOLT,6X30 (Ref # 92002)	92002-3726	1
STUD,10X35 (Ref # 92004)	92004-3752	1
SCREW,3X6 (Ref # 92009)	92009-1371	1
BUSHING (Ref # 92028)	92028-3718	1
PIN,DOWEL,10X14 (Ref # 92043)	92043-1037	1
NOZZLE (Ref # 92062)	92062-3705	1
BOLT,8X65 (Ref # 92150)	92150-3708	1