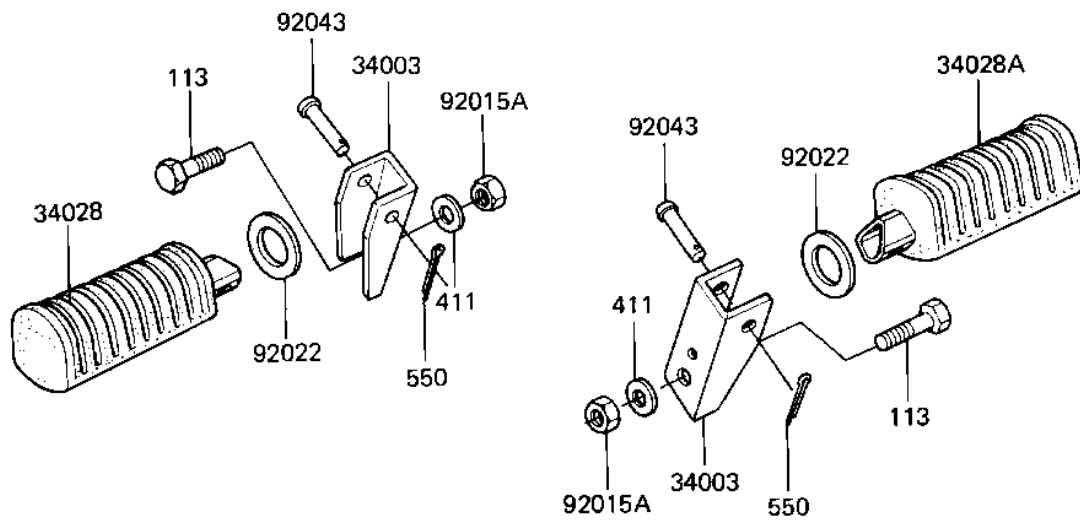
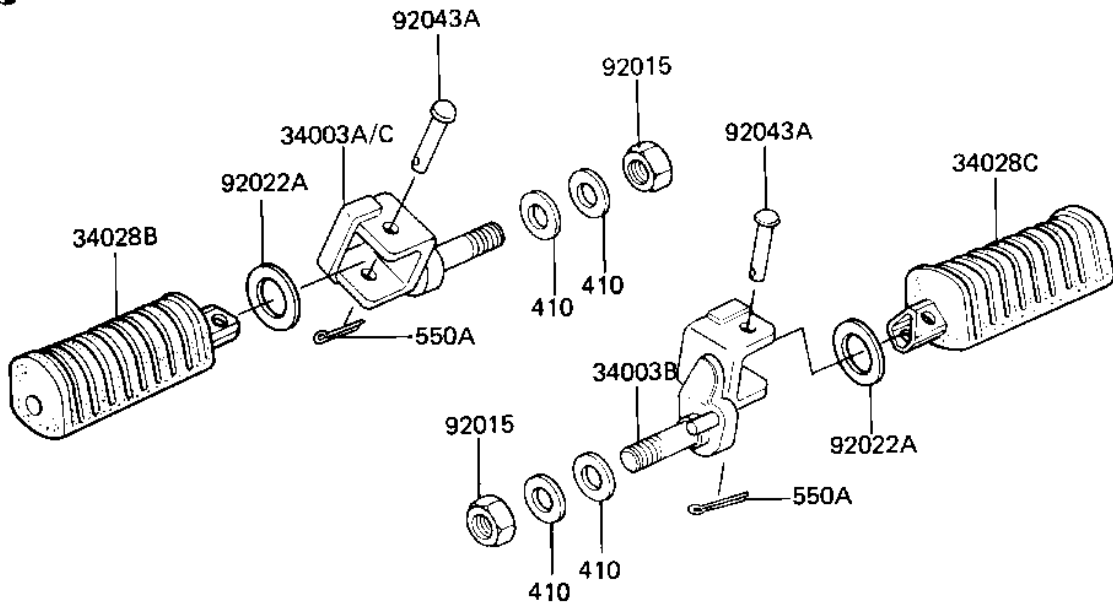


1981 LTD PARTS DIAGRAM

FOOTRESTS

F2160-0036



1981 LTD PARTS LIST

FOOTRESTS

ITEM NAME	PART NUMBER	QUANTITY
HOLDER,REAR FOOTREST (Ref # 34003)	34003-1025	1
HOLDER-STEP,FR,LH (Ref # 34003A)	34003-1113	3
HOLDER-STEP,RH (Ref # 34003B)	34003-1105	1
STEP,RR FOOTREST,L.H (Ref # 34028)	34028-1024	1
STEP,RR FOOTREST,R.H (Ref # 34028A)	34028-1025	1
STEP-ASSY,FR,LH (Ref # 34028B)	34027-1106	1
STEP-ASSY,FR,RH (Ref # 34028C)	34027-1107	1
NUT-LOCK,12MM (Ref # 92015)	92019-009	1
NUT,LOCK,10MM (Ref # 92015A)	92019-021	1
WASHER-PLAIN (Ref # 92022)	92022-181	1
WASHER,PLAIN (Ref # 92022A)	92022-250	1
PIN (Ref # 92043)	92043-1464	1
PIN,FOOTREST BAR FIT (Ref # 92043A)	92043-115	1
BOLT,HEX HEAD 10X40 (Ref # 113)	92001-1253	1
WASHER PLAIN 12MM (Ref # 410)	410B1200	1
WASHER PLAIN 10MM (Ref # 411)	411B1000	1
PIN,COTTER,2.0X12 (Ref # 550)	550D2012	1
PIN,COTTER,2.5X15 (Ref # 550A)	550D2515	1