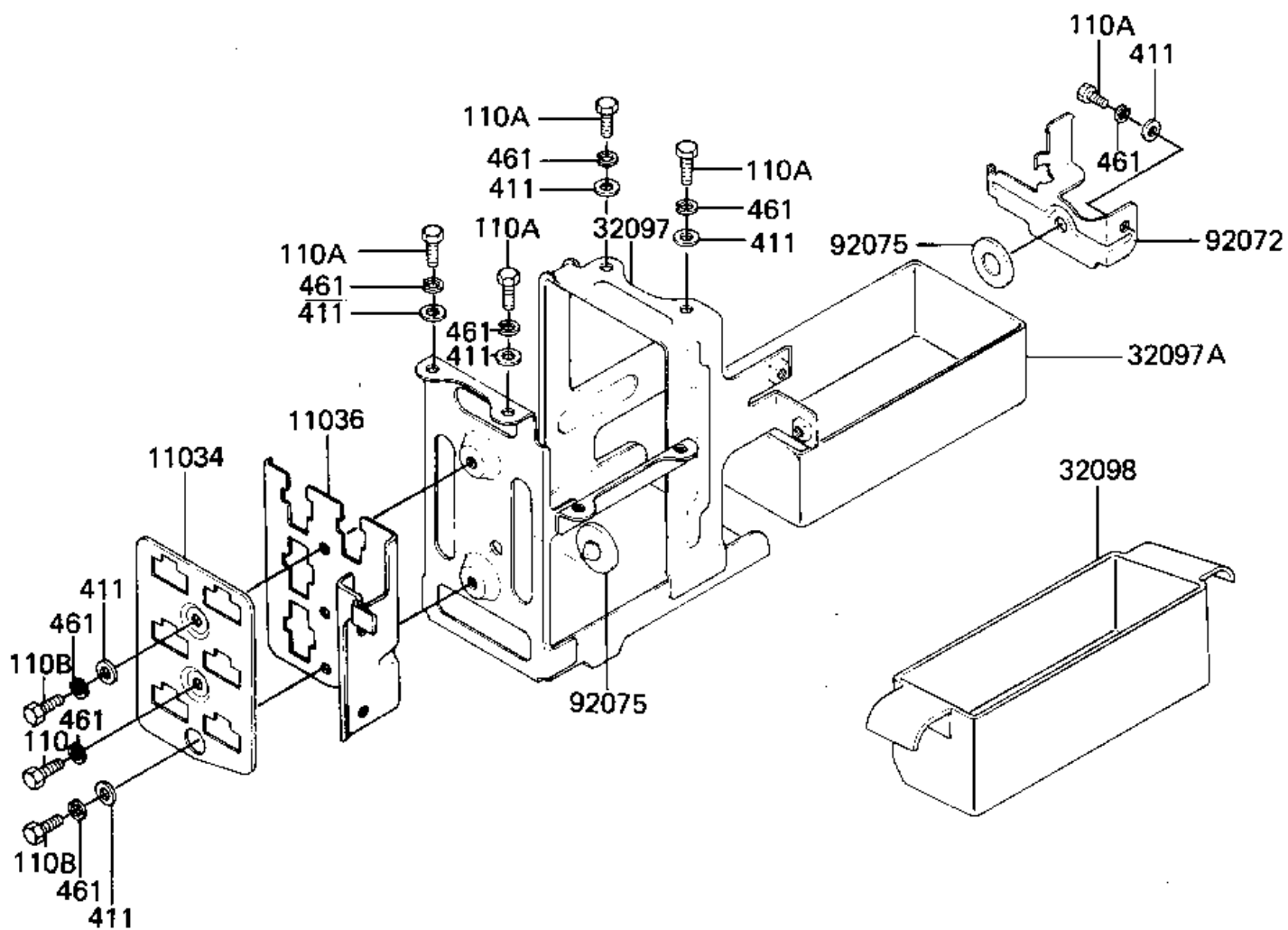


1981 LTD PARTS DIAGRAM

BATTERY CASE/TOOL CASE

F2132-0007



1981 LTD PARTS LIST

BATTERY CASE/TOOL CASE

ITEM NAME	PART NUMBER	QUANTITY
BRACKET (Ref # 11034)	11034-1918	1
BRACKET-A,COUPLER (Ref # 11036)	11036-1783	1
CASE-BATTERY (Ref # 32097)	32097-1033	1
CASE-BATTERY (Ref # 32097A)	32097-1034	1
CASE-TOOL (Ref # 32098)	32098-1014	1
BAND,BATTERY CASE (Ref # 92072)	92072-1213	1
DAMPER RUBBER (Ref # 92075)	92075-078	1
BOLT,6X10 (Ref # 110)	112G0610	1
BOLT-UPSET 6X14 (Ref # 110A)	112B0614	1
BOLT 6X22 (Ref # 110B)	112B0622	1
WASHER PLAIN 6MM (Ref # 411)	411B0600	1
WASHER SPRING 6MM (Ref # 461)	461F0600	1