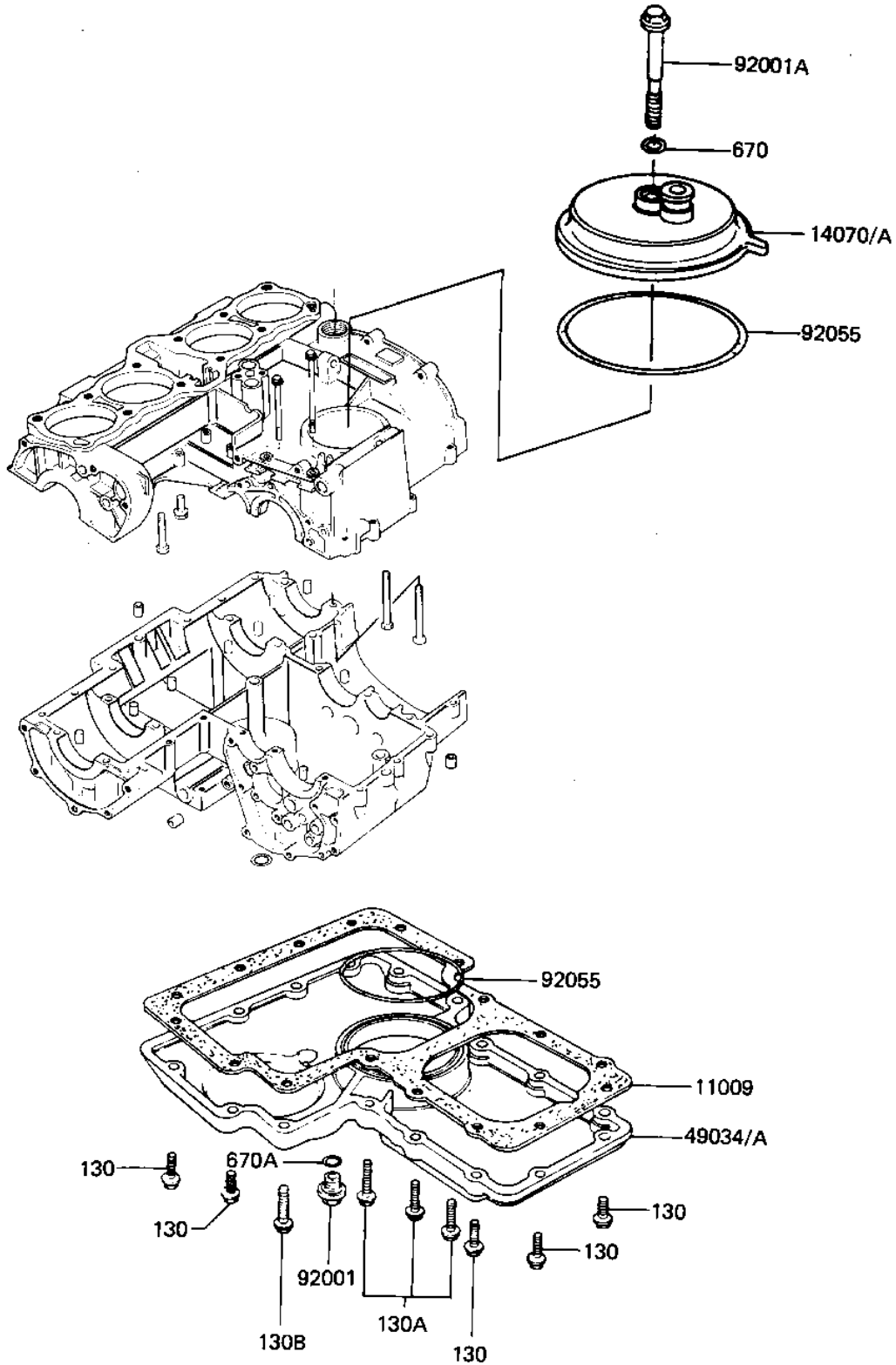


1981 LTD PARTS DIAGRAM

BREATHER COVER/OIL PAN

E1432-0008



1981 LTD PARTS LIST

BREATHER COVER/OIL PAN

ITEM NAME	PART NUMBER	QUANTITY
GASKET,OIL PAN (Ref # 11009)	11060-1074	1
BODY-BREATHER (Ref # 14070)	14070-1008	1
PAN-OIL (Ref # 49034)	49034-5020	1
PAN-OIL (Ref # 49034)	49034-5020	1
PAN-OIL (Ref # 49034A)	49034-5020	1
PLUG,OIL DRAIN (Ref # 92001)	92001-1183	1
BOLT,HEX HEAD,8X72 (Ref # 92001A)	92003-107	1
"O" RING,91MM (Ref # 92055)	92055-052	2
BOLT,FLANGED,6X25 (Ref # 130)	130G0625	13
BOLT,FLANGED,6X35 (Ref # 130A)	130H0635	3
BOLT,FLANGED,6X45 (Ref # 130B)	130G0645	1
"O" RING,8MM (Ref # 670)	670B1508	1
"O" RING,22MM (Ref # 670A)	670B2022	1