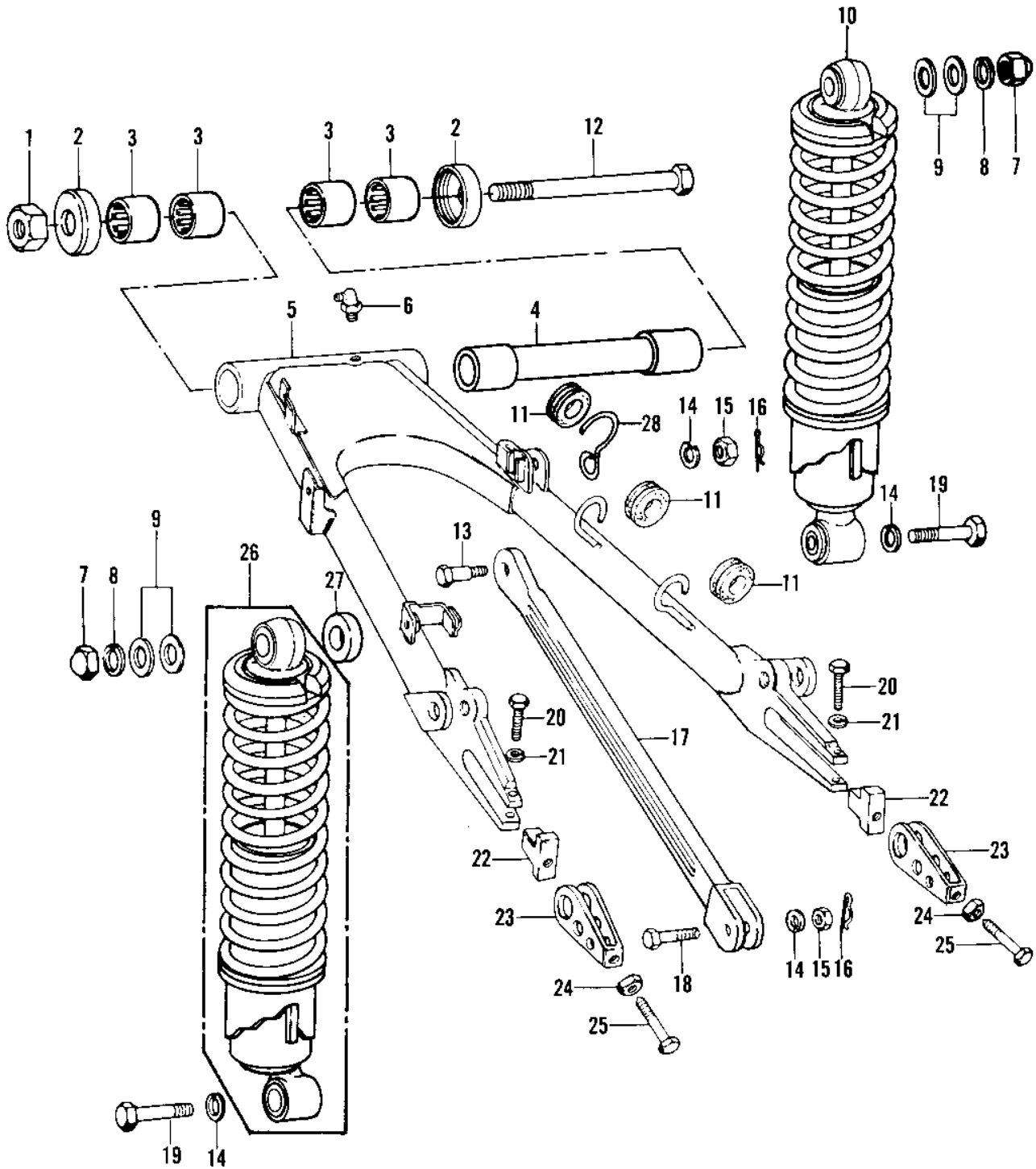


# 1980 Police 1000 PARTS DIAGRAM

SWING ARM/SHOCK ABSORBERS ('79-'81 G2/C3)



# 1980 Police 1000 PARTS LIST

SWING ARM/SHOCK ABSORBERS ('79-'81 G2/G3)

ITEM NAME	PART NUMBER	QUANTITY
NUT-SELF LOCKING (Ref # 1)	92019-012	1
CAP,SWING ARM (Ref # 2)	33035-009	2
BEARING-NEEDLE,HK221 (Ref # 3)	92046-1115	4
SLEEVE,SWING ARM (Ref # 4)	42036-1011	1
SWING ARM (Ref # 5)	33001-1008	1
GREASE NIPPLE (Ref # 6)	92005-002	1
NUT 12MM (Ref # 7)	92020-014	2
WASHER PLAIN 12MM (Ref # 9)	410B1200	4
SHOCKABSORBER,RR (Ref # 10)	45014-4013	1
DAMPER RUBBER (Ref # 11)	43064-007	3
SHAFT,SWING ARM PIVO (Ref # 12)	33032-036	1
BOLT,HEX HEAD,10X39 (Ref # 13)	92003-218	1
WASHER SPRING 10MM (Ref # 14)	461F1000	4
NUT,10MM (Ref # 15)	314B1000	1
PIN,SNAP (Ref # 16)	554A0800	2
TORQUE LINK,REAR HUB (Ref # 17)	43007-049	1
BOLT,10X47 (Ref # 18)	92001-1145	1
BOLT HEX HEAD 10X35 (Ref # 19)	113N1035	2
BOLT (Ref # 20)	110G0840	2
WASHER SPRING 8MM (Ref # 21)	461F0800	2
STOPPER,CHAIN ADJUST (Ref # 22)	33044-001	2
ADJUSTER,CHAIN (Ref # 23)	33040-066	2
NUT 10MM (Ref # 24)	315B1000	3
BOLT-CHN ADJUST 10MM (Ref # 25)	92001-143	2
SHOCKABSORBER,RR (Ref # 26)	45014-4013	1
SPACER,LH REAR SHOCK (Ref # 27)	92026-4001	1
CLAMP,BRAKE HOSE (Ref # 28)	92037-1061	1