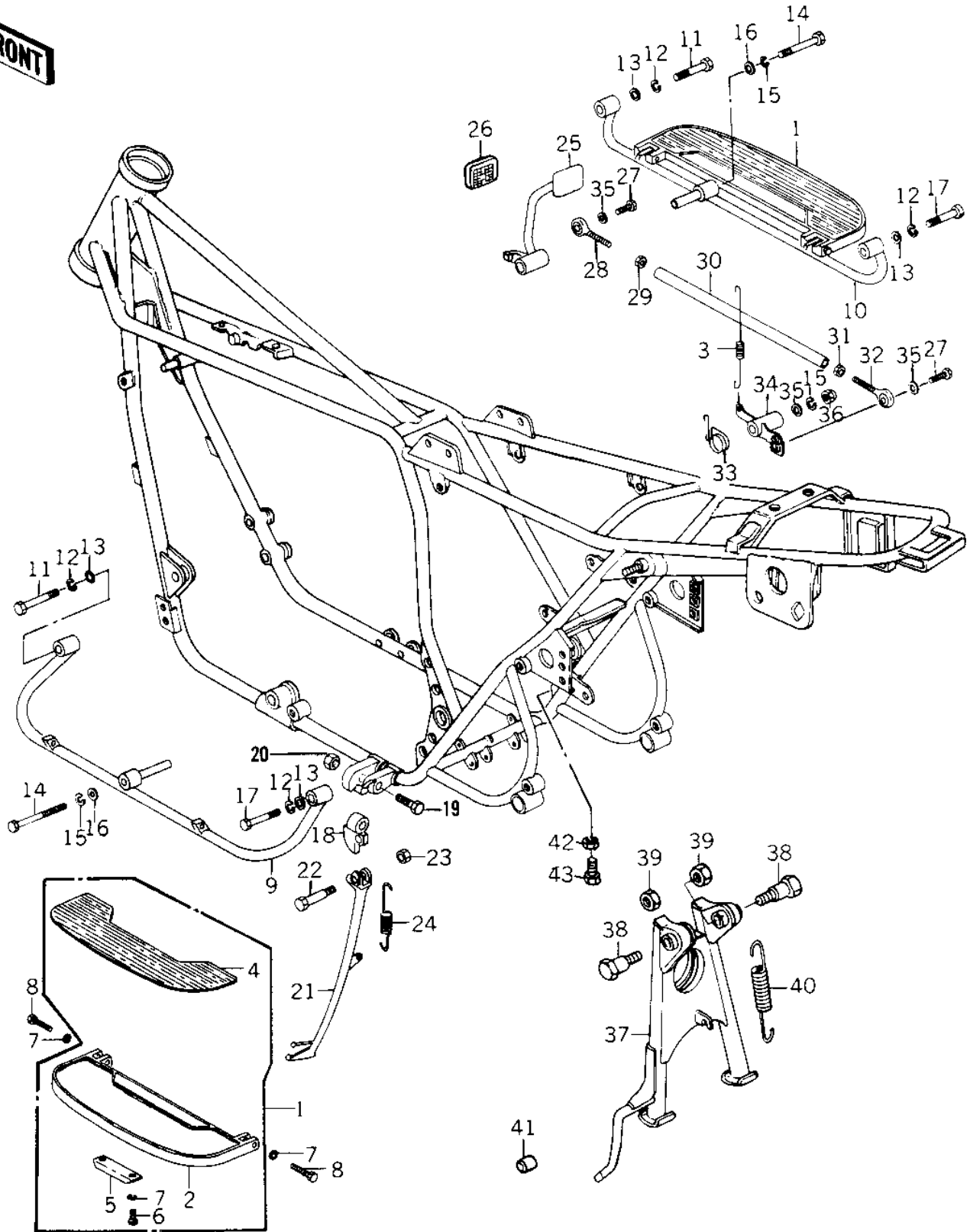


1978 Police 1000 PARTS DIAGRAM

FOOTRESTS/STANDS/BRAKE PEDAL ('78 C1/C1A)



1978 Police 1000 PARTS LIST

FOOTRESTS/STANDS/BRAKE PEDAL ('78 C1/C1A)

| ITEM NAME | PART NUMBER | QUANTITY |
|---------------------------------|-------------|----------|
| FOOTBOARD ASSY. (Ref # 1) | 34027-1002 | 2 |
| FOOTBOARD ASSY. (Ref # 2) | 34027-1002 | 2 |
| BRAKE SWITCH SPRING (Ref # 3) | 27011-021 | 1 |
| DAMPER ASSY,STEP (Ref # 4) | 92075-4002 | 2 |
| PLATE,FOOTBRD, SKID (Ref # 5) | 13169-1011 | 2 |
| BOLT,6X10 (Ref # 6) | 112G0610 | 4 |
| WASHER SPRING 6MM (Ref # 7) | 461F0600 | 8 |
| BOLT-UPSET (Ref # 8) | 112G0645 | 4 |
| BRKT,FOOTBOARD, LH (Ref # 9) | 34003-1005 | 1 |
| BRKT,FOOTBOARD, RH (Ref # 10) | 34003-1006 | 1 |
| BOLT,HEX HEAD,10X50 (Ref # 11) | 92001-1254 | 2 |
| WASHER SPRING 10MM (Ref # 12) | 461F1000 | 4 |
| WASHER PLAIN 10MM (Ref # 13) | 411B1000 | 4 |
| BOLT-SMALL-UPSET,8X1 (Ref # 14) | 115B08105 | 2 |
| WASHER SPRING 8MM (Ref # 15) | 461F0800 | 5 |
| WASHER PLAIN 8MM (Ref # 16) | 410B0800 | 2 |
| BOLT,HEX HEAD,10X60 (Ref # 17) | 113B1060 | 2 |
| BRACKET-STAND,SIDE S (Ref # 18) | 32043-4004 | 1 |
| BOLT,HEX HEAD,8M/M (Ref # 19) | 92001-4004 | 1 |
| NUT 8MM (Ref # 20) | 312B0800 | 1 |
| STAND-SIDE (Ref # 21) | 34024-1216 | 1 |
| BOLT,SIDE STAND (Ref # 22) | 92001-4028 | 1 |
| NUT 10MM (Ref # 23) | 315B1000 | 1 |
| SPRING,SIDE STAND (Ref # 24) | 34025-005 | 1 |
| PEDAL, BRAKE (Ref # 25) | 43001-1006 | 1 |
| RUBBER,BRAKE PEDAL (Ref # 26) | 43091-002 | 1 |
| BOLT-SMALL-UPSET 8X2 (Ref # 27) | 115G0825 | 2 |
| ROD END,TIE LH MALE (Ref # 28) | 39112-1002 | 1 |
| NUT,LH THREAD (Ref # 29) | 92015-1006 | 1 |

1978 Police 1000 PARTS LIST

FOOTRESTS/STANDS/BRAKE PEDAL ('78 C1/C1A)

| ITEM NAME | PART NUMBER | QUANTITY |
|---------------------------------|-------------|----------|
| CONTROL ROD,BRAKE PD (Ref # 30) | 39111-1001 | 1 |
| NUT,RH THREAD (Ref # 31) | 92015-1005 | 1 |
| ROD END,TIE RH MALE (Ref # 32) | 39112-1001 | 1 |
| SPRING,BRAKE PEDAL (Ref # 33) | 43005-037 | 1 |
| SHAFT,REAR BRAKE (Ref # 34) | 43004-1004 | 1 |
| WASHER,8.5X20X1.6 (Ref # 35) | 92022-1561 | 3 |
| NUT,CAP AND LOCK,8MM (Ref # 36) | 92019-013 | 1 |
| STAND-MAIN (Ref # 37) | 34011-1015 | 1 |
| SHAFT MAIN STAND (Ref # 38) | 34019-014 | 2 |
| NUT,MAIN STAND FITT (Ref # 39) | 92016-044 | 2 |
| SPRING,MAIN STAND (Ref # 40) | 34023-012 | 1 |
| DAMPER,MAIN STAND (Ref # 41) | 92075-318 | 2 |
| NUT 6MM (Ref # 42) | 311B0600 | 1 |
| BOLT-UPSET,6X20 (Ref # 43) | 112G0620 | 1 |