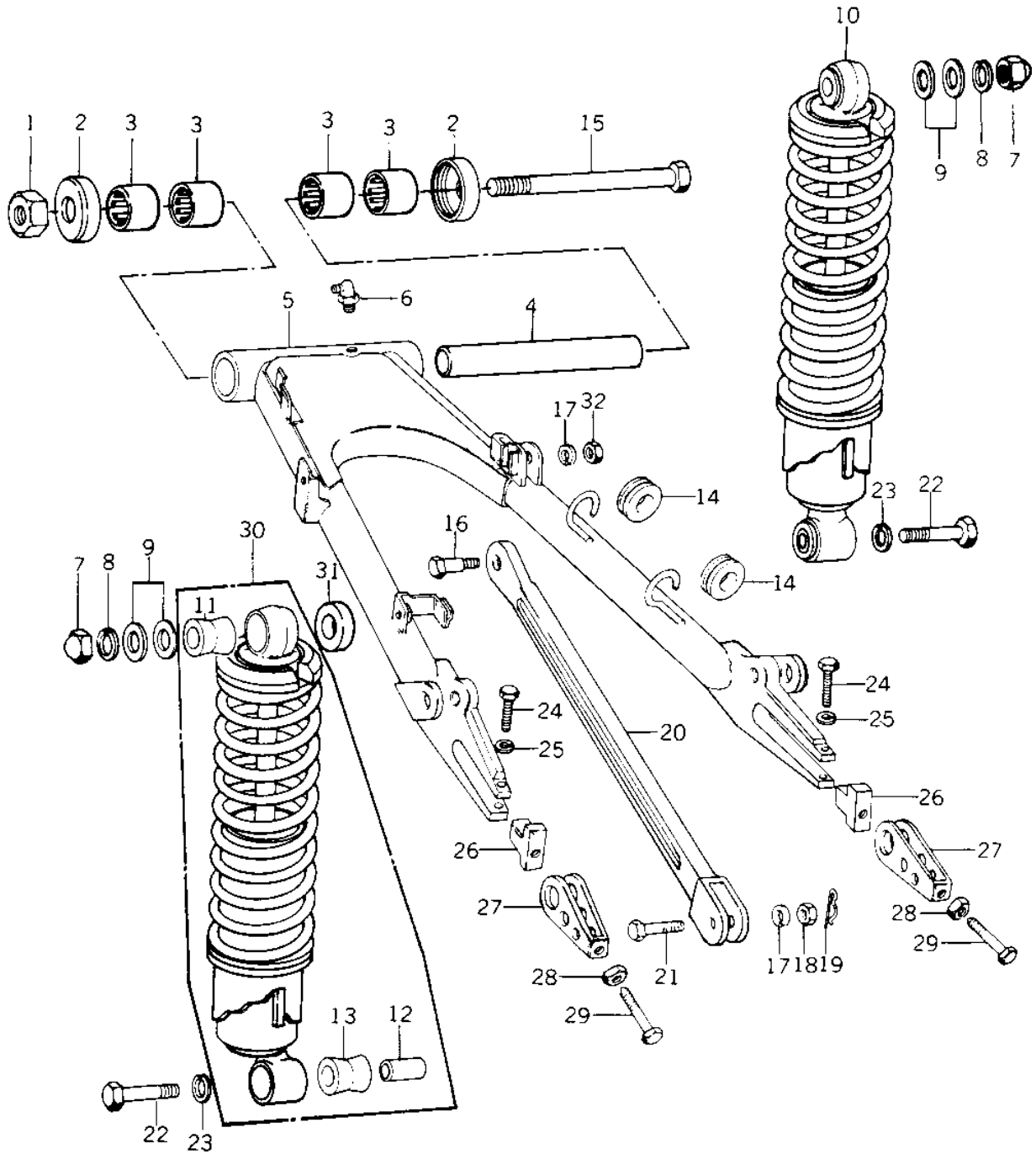


1978 Police 1000 PARTS DIAGRAM

SWING ARM/SHOCK ABSORBERS (78 C1/C1A)



1978 Police 1000 PARTS LIST

SWING ARM/SHOCK ABSORBERS (78 C1/C1A)

ITEM NAME	PART NUMBER	QUANTITY
NUT-SELF LOCKING (Ref # 1)	92019-012	1
CAP,SWING ARM (Ref # 2)	33035-009	2
BEARING-NEEDLE,HK221 (Ref # 3)	92046-1115	4
SLEEVE,SWING ARM (Ref # 4)	42036-1011	2
SWING ARM (Ref # 5)	33001-1008	1
GREASE NIPPLE (Ref # 6)	92005-002	1
NUT 12MM (Ref # 7)	92020-014	2
WASHER SPRING 12MM (Ref # 8)	461F1200	2
WASHER PLAIN 12MM (Ref # 9)	410B1200	4
SHOCKABSORBER,RR (Ref # 10)	45014-4013	1
SHOCKABSORBER,RR (Ref # 10)	45014-4013	1
BUSHING,SHCK ABS RUB (Ref # 11)	45017-018	2
BUSH SHCK ABS PVT SF (Ref # 12)	45016-003	2
BUSHING,SHCK ABSORBE (Ref # 13)	45017-011	2
DAMPER RUBBER (Ref # 14)	43064-007	2
SHAFT,SWING ARM PIVO (Ref # 15)	33032-036	1
BOLT,HEX HEAD,10X39 (Ref # 16)	92003-218	1
WASHER SPRING 10MM (Ref # 17)	461F1000	2
NUT,10MM (Ref # 18)	314B1000	1
PIN,SNAP (Ref # 19)	554A0800	1
TORQUE LINK,REAR HUB (Ref # 20)	43007-049	1
BOLT,10X47 (Ref # 21)	92001-1145	1
BOLT HEX HEAD 10X35 (Ref # 22)	113N1035	2
WASHER SPRING 10MM (Ref # 23)	461F1000	2
BOLT (Ref # 24)	92001-1578	2
WASHER SPRING 8MM (Ref # 25)	461F0800	2
STOPPER,CHAIN ADJUST (Ref # 26)	33044-001	2
ADJUSTER,CHAIN (Ref # 27)	33040-066	2
NUT 10MM (Ref # 28)	315B1000	2

1978 Police 1000 PARTS LIST

SWING ARM/SHOCK ABSORBERS ('78 C1/C1A)

ITEM NAME	PART NUMBER	QUANTITY
BOLT-CHN ADJUST 10MM (Ref # 29)	92001-143	2
SHOCKABSORBER,RR (Ref # 30)	45014-4013	1
SHOCKABSORBER,RR (Ref # 30)	45014-4013	1
SPACER,LH REAR SHOCK (Ref # 31)	92026-4001	1
NUT,LOCK,10MM (Ref # 32)	92019-021	1