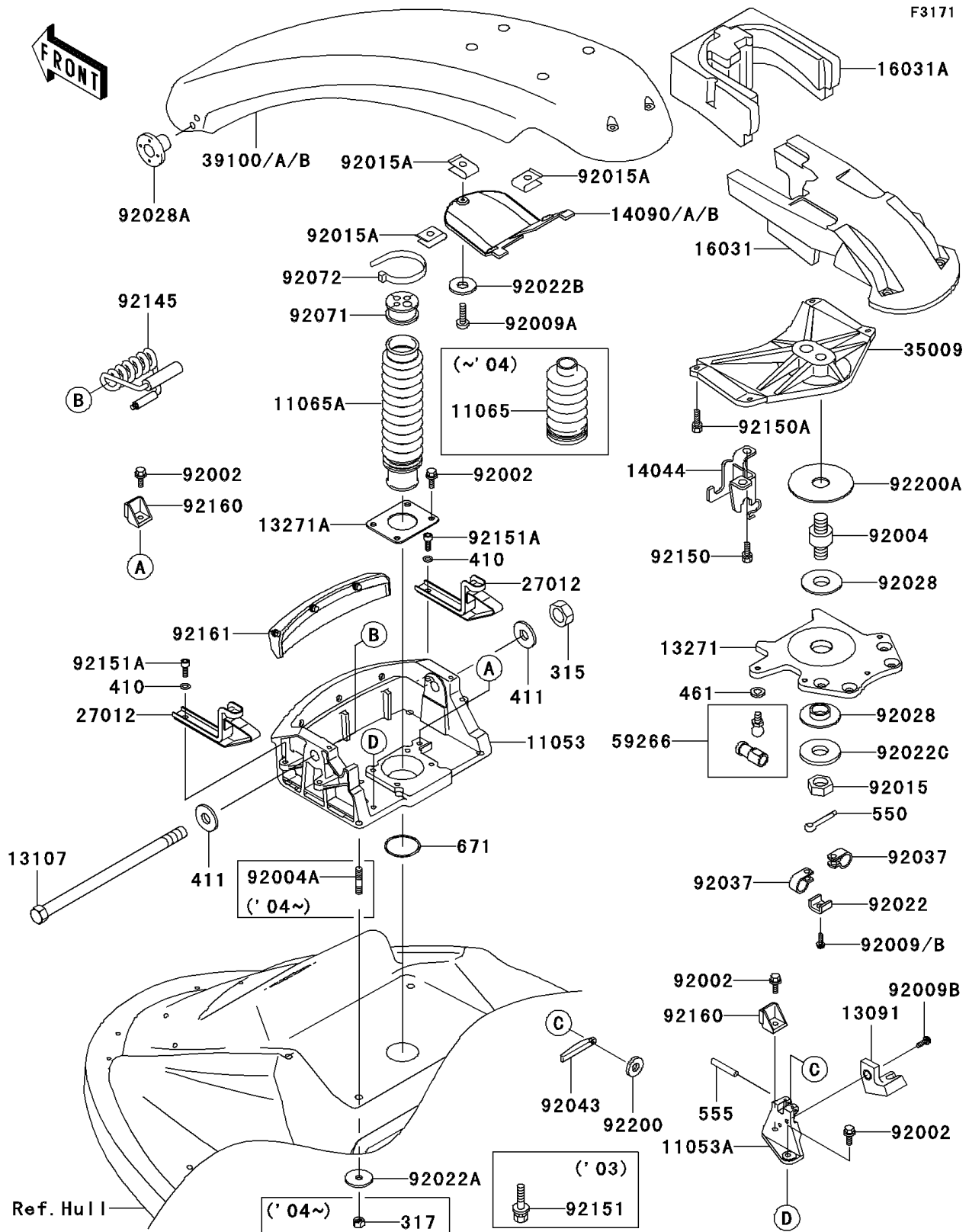


2003 800 SX-R PARTS DIAGRAM

Handle Pole



2003 800 SX-R PARTS LIST

Handle Pole

| ITEM NAME | PART NUMBER | QUANTITY |
|--|----------------|----------|
| BRACKET (Ref # 11053) | 11053-3741 | 1 |
| BRACKET (Ref # 11053A) | 11053-3749 | 1 |
| CAP (Ref # 11065) | 11065-3722 | 1 |
| HOLDER (Ref # 13091) | 13091-3774 | 1 |
| SHAFT (Ref # 13107) | 13107-3781 | 1 |
| PLATE (Ref # 13271) | 13271-3845 | 1 |
| PLATE (Ref # 13271A) | 13271-3882 | 1 |
| HOLDER-CABLE (Ref # 14044) | 14044-3716 | 1 |
| COVER,HANDLE POLE,C.L.GREEN (Ref # 14090A) | 14090-3708-367 | 1 |
| FLOAT,HANDLE POLE (Ref # 16031) | 16031-3951 | 1 |
| FLOAT,HANDLE POLE (Ref # 16031A) | 16031-3952 | 1 |
| HOOK (Ref # 27012) | 27012-3850 | 2 |
| BRACE (Ref # 35009) | 35009-3712 | 1 |
| POLE-COMP-HANDLE,C.L.GREEN (Ref # 39100A) | 39100-3716-367 | 1 |
| JOINT-BALL (Ref # 59266) | 59266-3707 | 1 |
| BOLT,6X16 (Ref # 92002) | 92002-3728 | 7 |
| STUD (Ref # 92004) | 92004-3728 | 1 |
| SCREW,5X16 (Ref # 92009) | 92009-3736 | 1 |
| SCREW,5X16 (Ref # 92009A) | 92009-3797 | 3 |
| SCREW,5X16 (Ref # 92009B) | 92009-3868 | 1 |
| NUT,CASTLE,18MM (Ref # 92015) | 92015-3006 | 1 |
| NUT,CLIP,5MM (Ref # 92015A) | 92015-3830 | 3 |
| WASHER,CLAMP (Ref # 92022) | 92022-3014 | 1 |
| WASHER,8.5X34X3 (Ref # 92022A) | 92022-3746 | 4 |
| WASHER (Ref # 92022B) | 92022-567 | 3 |
| WASHER (Ref # 92022C) | 92022-571 | 1 |
| BUSHING (Ref # 92028) | 92028-3743 | 2 |
| BUSHING,STEERING (Ref # 92028A) | 92028-3752 | 2 |
| CLAMP,LEAD WIRE (Ref # 92037) | 92037-3007 | 2 |

2003 800 SX-R PARTS LIST

Handle Pole

| ITEM NAME | PART NUMBER | QUANTITY |
|------------------------------------|-------------|----------|
| PIN,STOPPER (Ref # 92043) | 92043-3754 | 1 |
| GROMMET (Ref # 92071) | 92071-3788 | 1 |
| BAND,L=188 (Ref # 92072) | 92072-1239 | 1 |
| SPRING (Ref # 92145) | 92145-3720 | 1 |
| NUT-HEX-FINE,14MM (Ref # 315) | 315R1400 | 1 |
| WASHER-PLAIN-SMALL,6MM (Ref # 410) | 410S0600 | 4 |
| WASHER-PLAIN,14MM (Ref # 411) | 411S1400 | 2 |
| WASHER-SPRING,6MM (Ref # 461) | 461S0600 | 1 |
| PIN-COTTER,4X40 (Ref # 550) | 550S4040 | 1 |
| PIN-SPRING,3X25 (Ref # 555) | 555B0325 | 1 |
| O RING,40MM (Ref # 671) | 671B2540 | 1 |
| BOLT,6X16 (Ref # 92150) | 92150-3714 | 2 |
| BOLT,6X20 (Ref # 92150A) | 92150-3758 | 4 |
| BOLT,8X29 (Ref # 92151) | 92151-3767 | 4 |
| BOLT,SOCKET,6X16 (Ref # 92151A) | 92151-3770 | 4 |
| DAMPER (Ref # 92160) | 92160-3790 | 2 |
| DAMPER (Ref # 92161) | 92161-3743 | 1 |
| WASHER,3.5X12X1 (Ref # 92200) | 92200-3723 | 1 |
| WASHER,20.5X80X3 (Ref # 92200A) | 92200-3725 | 1 |