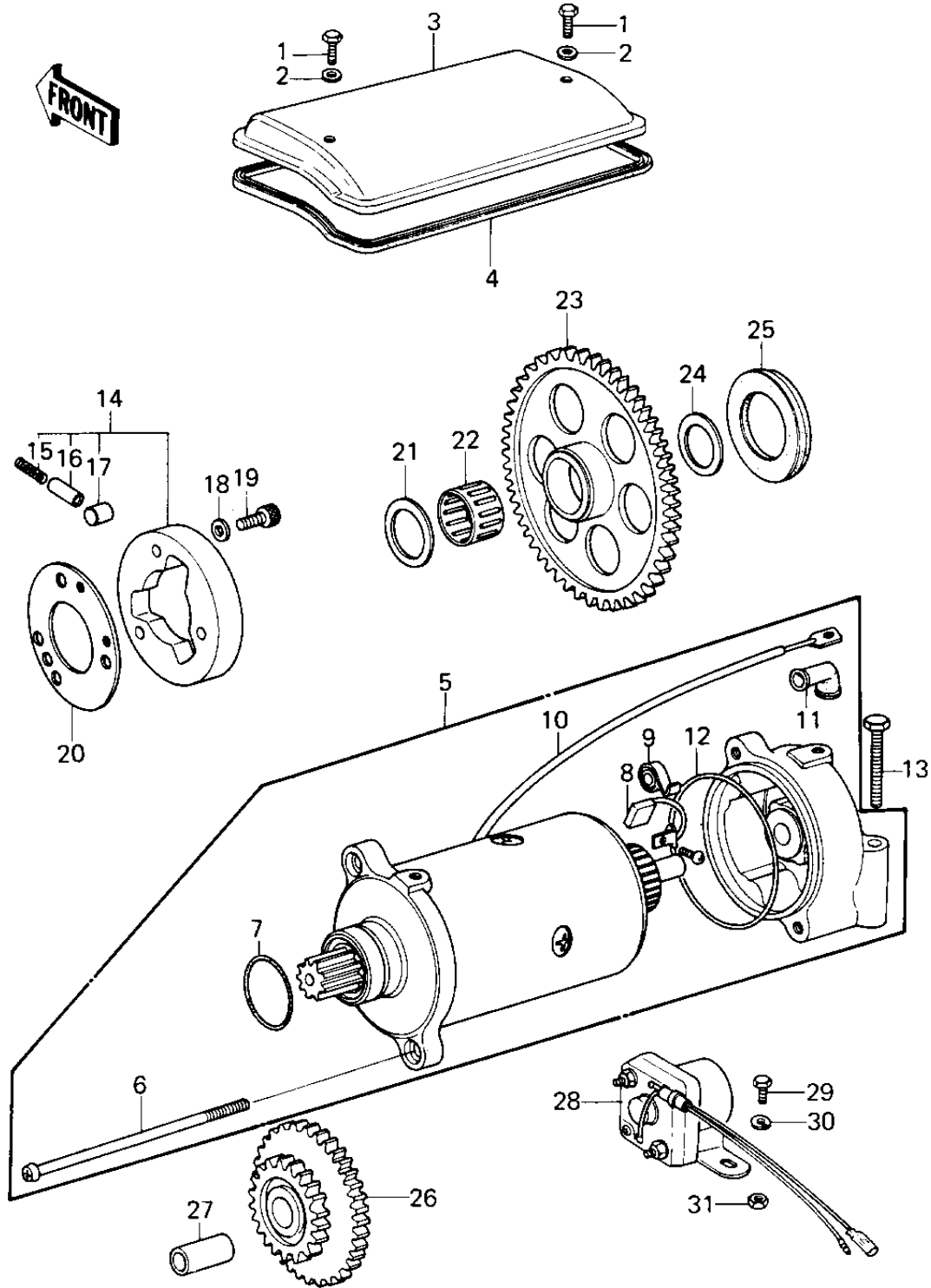


# 1979 KZ1000 LTD PARTS DIAGRAM

STARTER MOTOR/STARTER CLUTCH ('79-'80 B3)



# 1979 KZ1000 LTD PARTS LIST

STARTER MOTOR/STARTER CLUTCH ('79-'80 B3)

ITEM NAME	PART NUMBER	QUANTITY
BOLT (6X10) (Ref # 1)	110R0610	2
WASHER,PLAIN,6MM (Ref # 2)	410D0600	2
COVER,STARTING MOTOR (Ref # 3)	21165-001	1
GASKET,START MOTOR CV (Ref # 4)	21166-001	1
STARTER-ELECTRIC (Ref # 5)	21163-1019	1
.SCREW,PAN HEAD,6X110 (Ref # 6)	21015-005	2
."0" RING,STARTING MTR (Ref # 7)	21027-004	1
.CARBON BRUSH (Ref # 8)	21039-003	2
.SPRING,CARBON BRUSH (Ref # 9)	21040-003	2
.WIRE,STARTER MOTOR (Ref # 10)	26010-055	1
.GROMMET,CORD (Ref # 11)	21017-017	1
."0" RING,STARTING MTR (Ref # 12)	21027-003	1
BOLT,EXCLUSIVE (Ref # 13)	92001-1456	2
CLUTCH ASSY,STARTING (Ref # 14)	13193-1006	1
.SPRING (Ref # 15)	92081-110	3
.PIN (Ref # 16)	92043-087	3
.PIN (Ref # 17)	92122-001	3
WASHER,PLAIN (Ref # 18)	92022-1108	3
BOLT (Ref # 19)	120P0816	3
PLATE,CLUTCH STARTER (Ref # 20)	92026-112	1
SPACER (Ref # 21)	92026-1031	1
BEARING,NEEDLE,K25302 (Ref # 22)	92046-1022	1
GEAR,STARTING CLUTCH (Ref # 23)	16085-1012	1
SPACER (Ref # 24)	92026-1033	1
DAMPER RUBBER,6.3T (Ref # 25)	92075-1129	AR
DAMPER RUBBER,7.3T (Ref # 25)	92075-1130	AR
DAMPER RUBBER,8.3T (Ref # 25)	92075-1131	AR
GEAR,STARTING MOTOR (Ref # 26)	21167-002	1
PIN-PISTON (Ref # 27)	13002-007	1

## 1979 KZ1000 LTD PARTS LIST

STARTER MOTOR/STARTER CLUTCH ('79-'80 B3)

ITEM NAME	PART NUMBER	QUANTITY
SWITCH ASSY,MAGNETIC (Ref # 28)	27010-1023	1
BOLT-UPSET,6X16 (Ref # 29)	112G0616	2
BOLT-UPSET,6X12 (Ref # 29)	112G0612	2
WASHER SPRING 6MM (Ref # 30)	461F0600	2
NUT,LOCK 6MM (Ref # 31)	92017-014	2