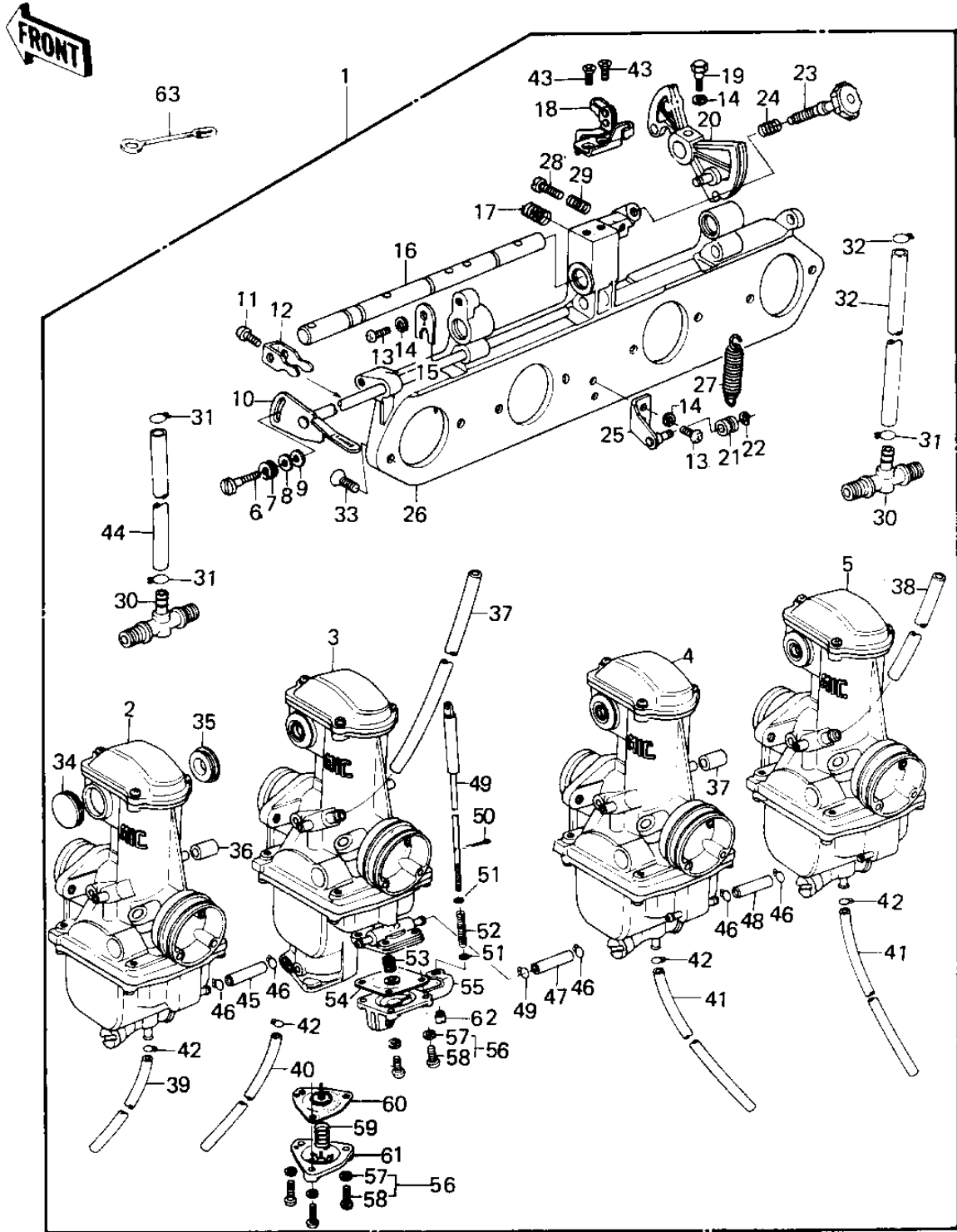


1979 KZ1000 LTD PARTS DIAGRAM

CARBURETOR ASSY (KZ1000-B3)



1979 KZ1000 LTD PARTS LIST

CARBURETOR ASSY (KZ1000-B3)

| ITEM NAME | PART NUMBER | QUANTITY |
|--------------------------------------|-------------|----------|
| CARBURETOR ASSY (Ref # 1) | 16001-1089 | 1 |
| CARBURETOR,L.H,OUT (Ref # 2) | 16001-1127 | 1 |
| CARBURETOR,L.H,INSIDE (Ref # 3 & 53) | 16001-1128 | 1 |
| CARBURETOR,R.H,INSIDE (Ref # 4) | 16001-1129 | 1 |
| CARBURETOR,R.H,OUT (Ref # 5) | 16001-1130 | 1 |
| SCREW (Ref # 6) | 16046-005 | 1 |
| SPRING,F (Ref # 7) | 16040-009 | 1 |
| WASHER PLAIN 5MM (Ref # 8) | 410B0500 | 1 |
| WASHER,PLAIN (Ref # 9) | 16039-019 | 1 |
| SHAFT,STARTER PLUNGER (Ref # 10) | 16041-021 | 1 |
| SCREW,PAN HEAD,5X7 (Ref # 11) | 16046-007 | 4 |
| LEVER,STARTER PLUNGER (Ref # 12) | 13168-1026 | 4 |
| SCREW-PAN-CROS (Ref # 13) | 220B0514 | 3 |
| WASHER SPRING 5MM (Ref # 14) | 461F0500 | 4 |
| PLATE,SHAFT STOPPER (Ref # 15) | 16055-012 | 1 |
| SHAFT,CARB CONNECTION (Ref # 16) | 16041-017 | 1 |
| SPRING,CABLE PULLY (Ref # 17) | 16040-022 | 1 |
| BRACKET,THROTTLE CABL (Ref # 18) | 16077-017 | 1 |
| BOLT,HEX HEAD,5X14 (Ref # 19) | 16067-006 | 1 |
| PULLEY,THROTTLE CABLE (Ref # 20) | 13236-1014 | 1 |
| RING (Ref # 21) | 16073-016 | 1 |
| CIRCLIP 3MM (Ref # 22) | 482K3000 | 1 |
| SCREW,THROTTLE STOP (Ref # 23) | 16021-1010 | 1 |
| SPRING,THROTTLE STOP (Ref # 24) | 16022-017 | 1 |
| BRACKET,THROTTLE CABL (Ref # 25) | 16077-016 | 1 |
| HOLDER,CARBURETOR (Ref # 26) | 16065-049 | 1 |
| SPRING,THROTTLE PULLY (Ref # 27) | 92081-1028 | 1 |
| SCREW (Ref # 28) | 16021-032 | 1 |
| SPRING,THROTTLE ADJST (Ref # 29) | 16022-010 | 1 |

1979 KZ1000 LTD PARTS LIST

CARBURETOR ASSY (KZ1000-B3)

| ITEM NAME | PART NUMBER | QUANTITY |
|----------------------------------|-------------|----------|
| JOINT,FUEL PIPE (Ref # 30) | 16046-002 | 2 |
| CLAMP,CARB CONECT HOS (Ref # 31) | 92037-056 | 4 |
| HOSE,FUEL,6.50X11.50 (Ref # 32) | 92059-1026 | 1 |
| SCREW,6X14 (Ref # 33) | 16033-029 | 8 |
| SCREW CNTSNK HD 6X14 (Ref # 33) | 221B0614 | AL |
| CAP,RUBBER (Ref # 34) | 16039-042 | 2 |
| GROMMET,CARBURETOR (Ref # 35) | 92071-104 | 6 |
| HOSE,6X11.5X16 (Ref # 36) | 92059-141 | 2 |
| HOSE,AIR VENT,5X8X550 (Ref # 37) | 92059-1028 | 1 |
| HOSE,AIR VENT,5X8X550 (Ref # 38) | 92059-1028 | 1 |
| HOSE,FUEL OVERFLOW (Ref # 39) | 92059-147 | 1 |
| HOSE,FUEL OVERFLOW (Ref # 40) | 92059-134 | 1 |
| HOSE,FUEL OVERFLOW (Ref # 41) | 92059-134 | 2 |
| CLAMP,OVERFLOW HOSE (Ref # 42) | 92037-173 | 4 |
| SCREW CNTSNK HD 5X10 (Ref # 43) | 221B0510A | 2 |
| HOSE,6.50X11.50X100 (Ref # 44) | 92059-1059 | 1 |
| TUBE,3.5X7.5X47.5 (Ref # 45) | 92059-1072 | 1 |
| CLAMP,TUBE (Ref # 46) | 92037-1124 | 6 |
| TUBE,3.5X7.5X64.5 (Ref # 47) | 92059-1071 | 1 |
| TUBE,3.5X7.5X47.5 (Ref # 48) | 92059-1072 | 1 |
| ROD ASSY,PUMP (Ref # 49 & 5) | 46102-1007 | 1 |
| COTTER PIN,1.0X6 (Ref # 50) | 550D1006 | 1 |
| WASHER,PUMP ROD (Ref # 51) | 92022-1138 | 2 |
| SPRING,PUMP ROD (Ref # 52) | 92081-1138 | 1 |
| SPRING,PUMP DIAPHRAGM (Ref # 53) | 92081-1139 | 1 |
| DIAPHRAGM,PUMP (Ref # 54) | 43028-1012 | 1 |
| COVER ASSY,PUMP (Ref # 55) | 14025-1139 | 1 |
| SCREW-PAN-WS-CROS (Ref # 56) | 223B0414 | 7 |
| WASHER SPRING 4MM (Ref # 57) | 461F0400 | 7 |

1979 KZ1000 LTD PARTS LIST

CARBURETOR ASSY (KZ1000-B3)

| ITEM NAME | PART NUMBER | QUANTITY |
|----------------------------------|-------------|----------|
| SCREW-PAN-CROS (Ref # 58) | 220B0414 | 7 |
| SPRING,SENSOR DIAPHRA (Ref # 59) | 92081-1137 | 1 |
| DIAPHRAGM,SENSOR (Ref # 60) | 43028-1010 | 1 |
| COVER,SENSOR (Ref # 61) | 14025-1121 | 1 |
| NUT,PUMP ROD (Ref # 62) | 92015-1075 | 1 |
| CLAMP,OVER FLOW PIPE (Ref # 63) | 92037-134 | 1 |