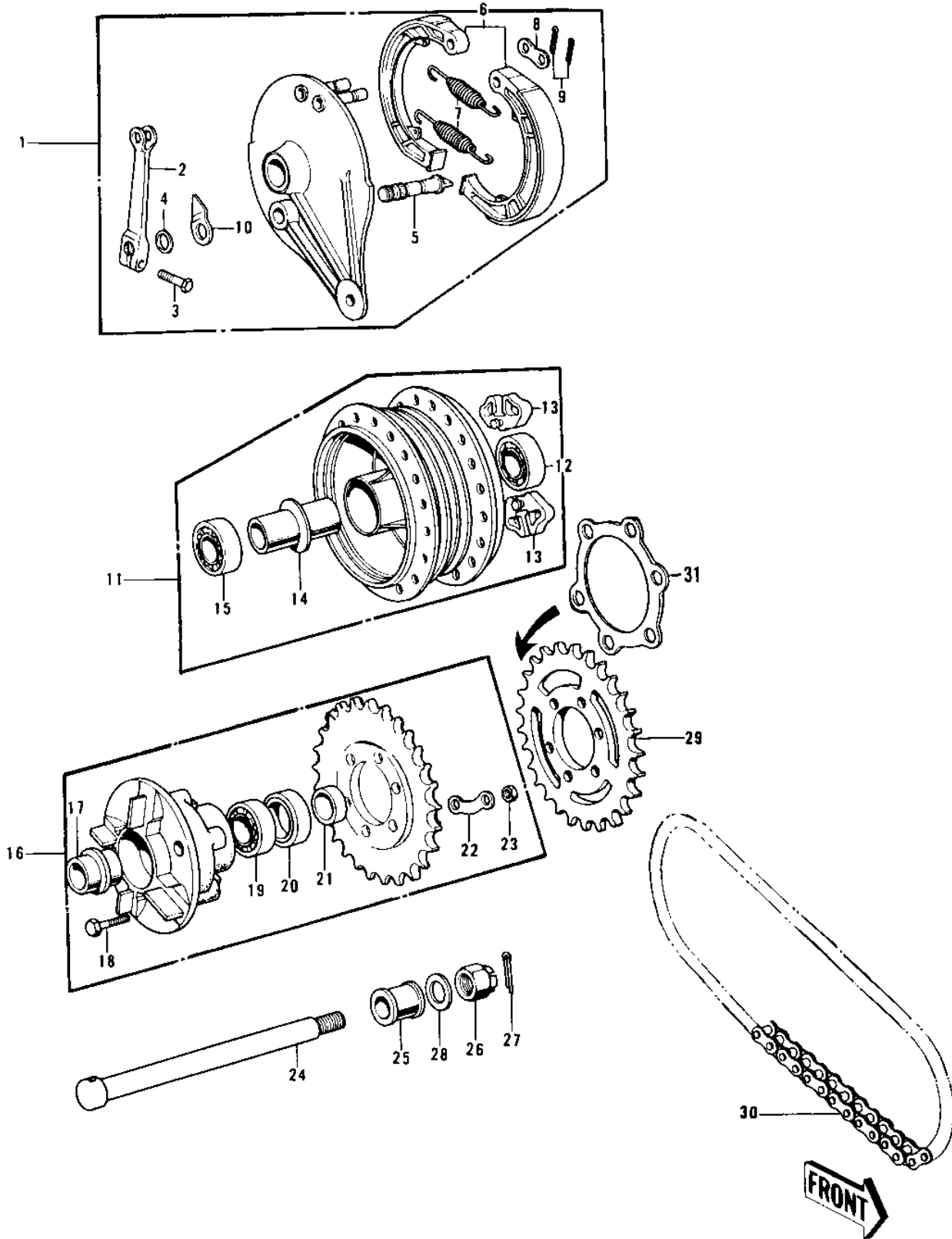


1973 Z1 PARTS DIAGRAM

REAR HUB/BRAKE/CHAIN



1973 Z1 PARTS LIST

REAR HUB/BRAKE/CHAIN

ITEM NAME	PART NUMBER	QUANTITY
PANEL ASSY, REAR BRAKE, FLAT BLACK (Ref # 1)	42006-030-21	1
PANEL ASSY, REAR BRAKE, BUFF FINISH (Ref # 1)	42006-030-80	1
PANEL ASSY, REAR BRAKE (Ref # 1)	42006-053	1
LEVER, REAR BRAKE CAM (Ref # 2)	42029-021	1
LEVER, REAR BRAKE CAM (Ref # 2)	42029-033	1
BOLT, HEX HEAD, 8 X 25 (Ref # 3)	110B0825	1
DUST SHIELD, BRAKE CAM (Ref # 4)	41051-003	1
CAMSHAFT, REAR BRAKE (Ref # 5)	41050-011	1
CAMSHAFT, REAR BRAKE (Ref # 5)	41050-017	1
SHOE, BRAKE (Ref # 6)	41048-016	2
SPRING, BRAKE SHOE (Ref # 7)	41049-007	2
WASHER , BRAKE SHOE (Ref # 8)	41045-006	1
PIN, COTTER, 3.0 X 25 (Ref # 9)	550D-3025	2
INDICATOR, REAR BRAKE (Ref # 10)	41085-004	1
DRUM ASSY, REAR BRAKE (Ref # 11)	42005-030	1
BEARING BALL #6304 (Ref # 12)	601B6304	1
SHOCK DAMPER, REAR HUB (Ref # 13)	42014-021	6
SPACER, REAR HUB BEARING (Ref # 14)	42010-021	1
BEARING BALL, #6304Z (Ref # 15)	601B6304Z	1
COUPLING ASSY, REAR HUB (Ref # 16)	42008-013	1
SLEEVE, REAR HUB COUPLING (Ref # 17)	42036-015	1
BOLT, REAR SPROCKET FITTING (Ref # 18)	92003-100	6
BOLT, REAR SPROCKET FITTING (Ref # 18)	92003-015	6
BEARING BALL, #6206 (Ref # 19)	601B6206	1
OIL SEAL (Ref # 20)	92050-027	1
COLLAR, REAR AXLE SLEEVE (Ref # 21)	42037-020	1
COLLAR, REAR AXLE SLEEVE (Ref # 21)	42037-023	1
WASHER, LOCK, 10MM (Ref # 22)	92088-013	3
NUT , 10 MM (Ref # 23)	42045-005	6

1973 Z1 PARTS LIST

REAR HUB/BRAKE/CHAIN

ITEM NAME	PART NUMBER	QUANTITY
AXLE, REAR (Ref # 24)	42031-034	1
COLLAR, REAR AXLE (Ref # 25)	42032-037	1
NUT, CASTLE, 18 MM (Ref # 26)	42045-018	1
PIN, COTTER, 4.0 X 35 (Ref # 27)	550D4035	1
WASHER, PLAIN, 20 MM WHN EXH USE 92 (Ref # 28)	92022-233	1
WASHER , PLAIN, 20 MM T=4.5 (Ref # 28)	92022-248	AR
WASHER , PLAIN, 20 MM T=6.0 (Ref # 28)	92022-249	AR
REAR SPROCKET, 35T (Ref # 29)	42041-118	1
CHAIN ASSY, DRIVE, 630 X 92L (Ref # 30)	92057-018	1
CHAIN ASSY, DRIVE, 630 X 92L (Ref # 30)	92057-107	1
SPACER, REAR HUB COUPLING (Ref # 31)	92028-108	1