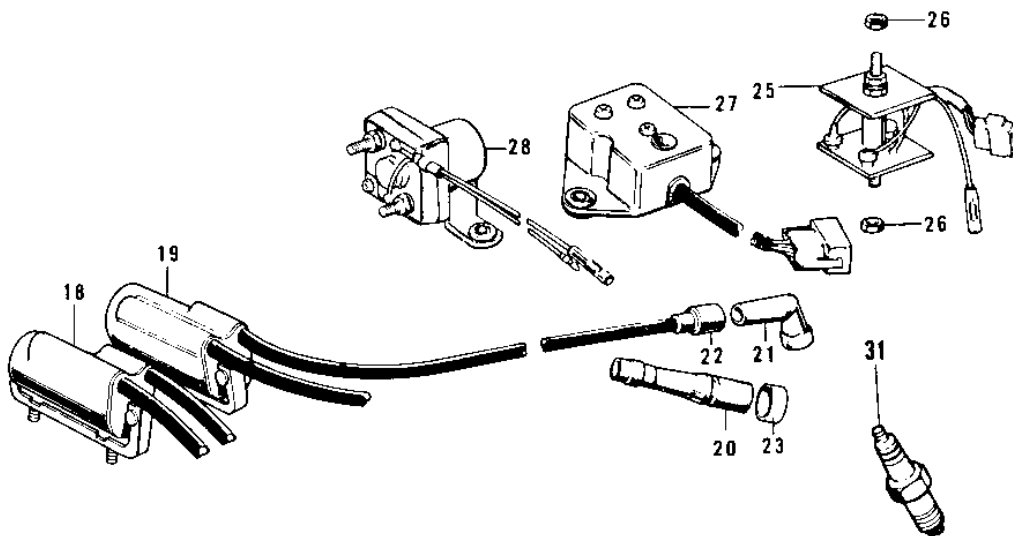
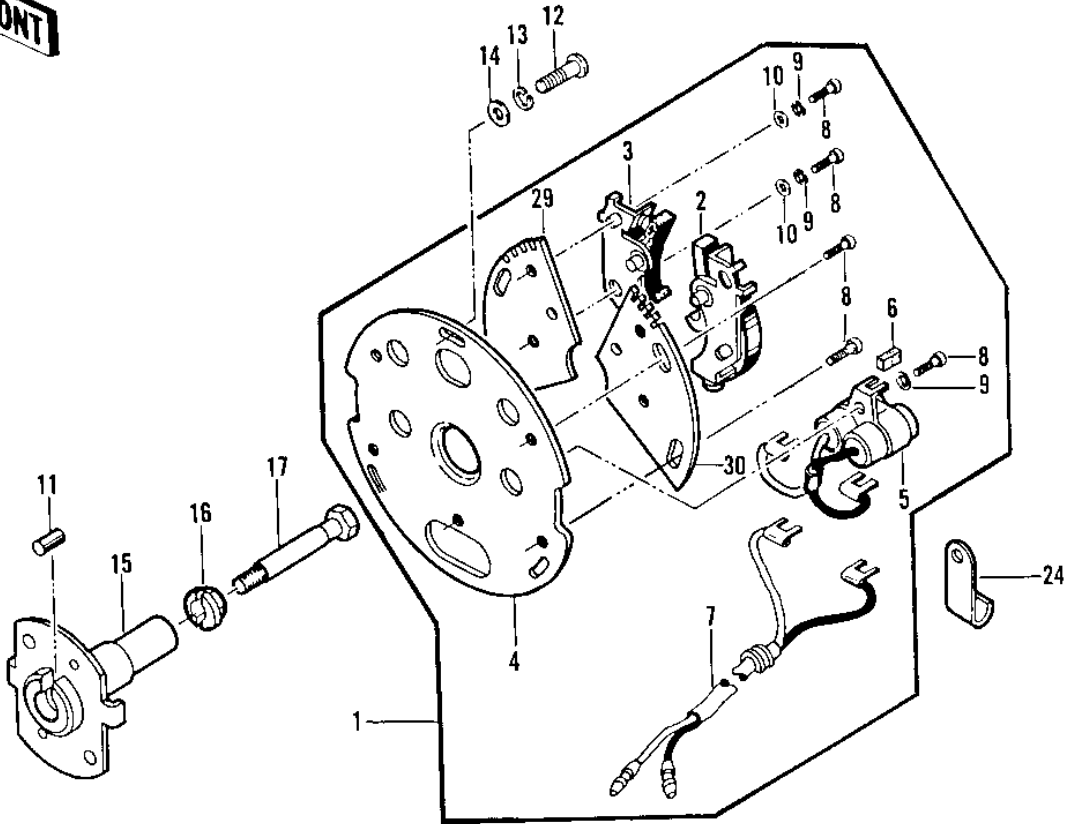


1973 Z1 PARTS DIAGRAM

IGNITION/REGULATOR/RECTIFIER



1973 Z1 PARTS LIST

IGNITION/REGULATOR/RECTIFIER

ITEM NAME	PART NUMBER	QUANTITY
BREAKER,CONTACT (Ref # 1)	21135-011	1
BREAKER,CONTACT (Ref # 1)	21135-011	1
BREAKER,CONTACT (Ref # 2)	21008-027	1
BREAKER,CONTACT (Ref # 3)	21008-028	1
PLATE,CONTACT BREAKER (Ref # 4)	21021-003	1
PLATE,CONTACT BREAKER (Ref # 4)	21021-004	1
CONDENSER (Ref # 5)	21013-035	1
FELT OIL (Ref # 6)	21019-005	1
WIRING HARNESS,BRAKE (Ref # 7)	21029-037	1
SCREW PAN HEAD 4X8 (Ref # 8)	220B0408	9
WASHER SPRING 4MM (Ref # 9)	461F0400	5
WASHER PLAIN 4MM (Ref # 10)	410B0400	4
PIN,DOWEL,4X8 (Ref # 11)	551A0408	1
SCREW PAN HEAD 5X12 (Ref # 12)	220B0512	3
WASHER SPRING 5MM (Ref # 13)	461F0500	3
WASHER PLAIN 5MM (Ref # 14)	410B0500	3
ADVANCER,SPARK (Ref # 15)	21148-010	1
ADVANCER,SPARK (Ref # 15)	21148-010	1
WASHER,SPARK ADVANCER (Ref # 16)	92022-244	1
BOLT,SPARK ADVANCER (Ref # 17)	92001-113	1
IGNITION COIL (Ref # 18)	21121-1003	1
IGNITION COIL (Ref # 18)	21121-1003	1
COIL,IGNITION(W/CAP) (Ref # 19)	21171-1019	1
COIL,IGNITION(W/CAP) (Ref # 19)	21171-1019	1
CAP,SPARK PLUG (Ref # 20)	21130-019	2
CAP SPARK PLUG (Ref # 21)	21160-1014	2
GROMMET,HIGH TENSION (Ref # 22)	21131-005	4
GROMMET,PLUG CAP (Ref # 23)	21131-006	4
CLAMP,WIRING HARNESS (Ref # 24)	21126-008	8

1973 Z1 PARTS LIST

IGNITION/REGULATOR/RECTIFIER

ITEM NAME	PART NUMBER	QUANTITY
RECTIFIER (Ref # 25)	21061-019	1
RECTIFIER (Ref # 25)	21061-019	1
NUT 6MM (Ref # 26)	311B0600	2
REGULATOR,VOLTAGE (Ref # 27)	21066-019	1
REGULATOR,VOLTAGE (Ref # 27)	21066-019	1
REGULATOR,VOLTAGE (Ref # 27)	21066-019	1
SWITCH ASSY,MAGNETIC (Ref # 28)	27010-1023	1
PLATE,CONTACT BREAKER (Ref # 29)	21156-008	1
PLATE,CONTACT BREAKER (Ref # 29)	21156-010	1
PLATE,CONTACT BREAKER (Ref # 30)	21156-009	1
PLATE,CONTACT BREAKER (Ref # 30)	21156-010	1
SPARK PLUG B8ES (Ref # 31)	B8ES	4