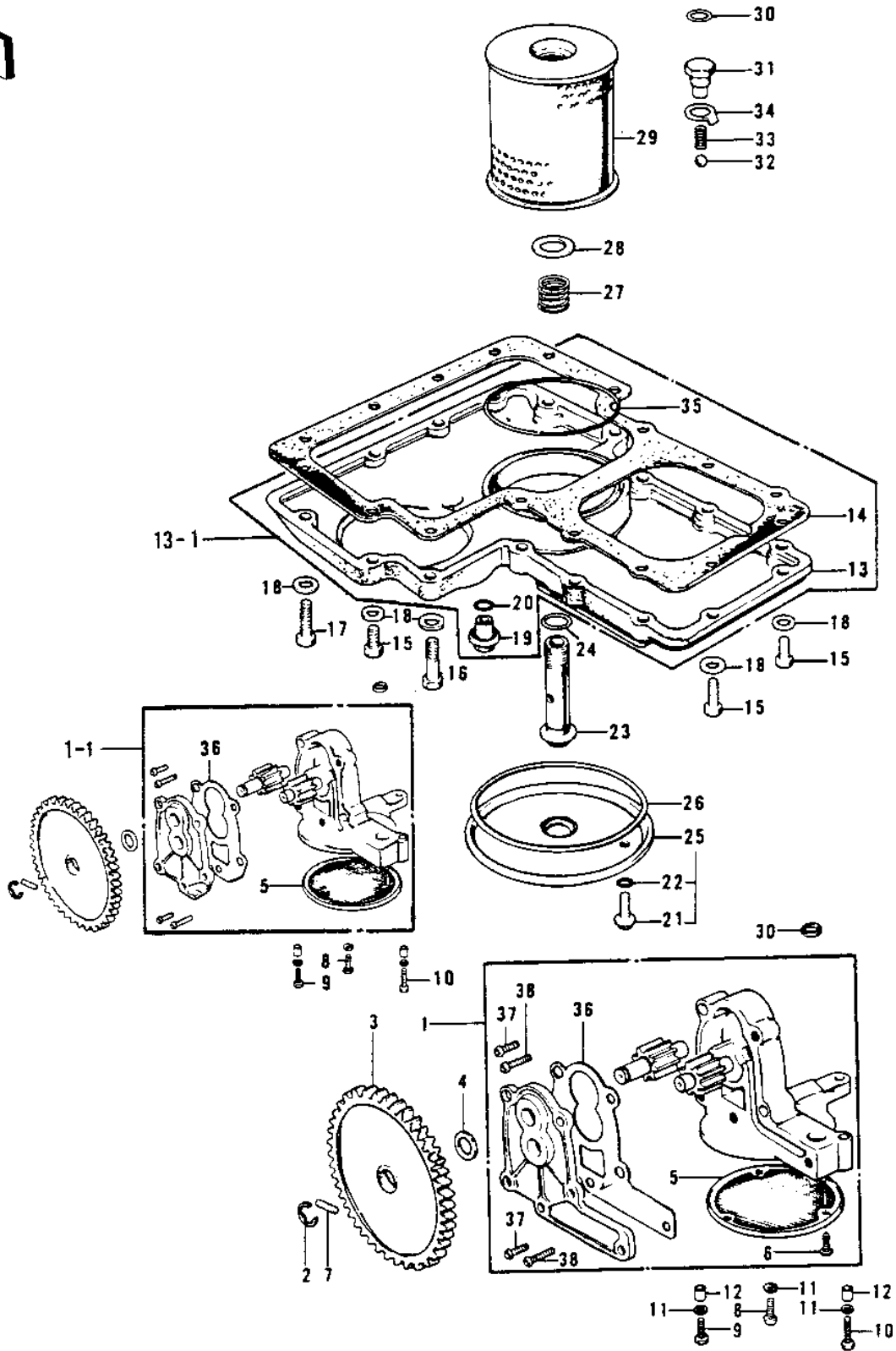


1973 Z1 PARTS DIAGRAM

OIL PUMP/OIL FILTER/OIL PAN





1973 Z1 PARTS LIST

OIL PUMP/OIL FILTER/OIL PAN

ITEM NAME	PART NUMBER	QUANTITY
OIL PUMP ASSY (Ref # 1)	16082-036	1
PUMP-ASSY-OIL (Ref # 1-1)	16082-5001	1
CIRCLIP,7MM (Ref # 2)	482K7000	1
GEAR,OIL PUMP 49T (Ref # 3)	16085-019	1
WASHER,LOCK,16MM (Ref # 4)	92026-080	1
STRAINER,OIL (Ref # 5)	16111-002	1
STRAINER,OIL PUMP (Ref # 5)	16111-004	1
SCREW PAN HEAD 5X8 (Ref # 6)	220B0508	3
PIN,DOWEL,3X14 (Ref # 7)	551A0314	1
BOLT-UPSET (Ref # 8)	112G0622	1
BOLT,FLANGED,6X22 (Ref # 8)	92001-1352	1
BOLT-UPSET,6X35 (Ref # 9)	112G0635	1
BOLT,HEX HEAD,6X35 (Ref # 9)	92001-164	1
BOLT-UPSET (Ref # 10)	112G0645	1
BOLT,HEX HEAD,6X45 (Ref # 10)	92001-165	1
WASHER PLAIN 6MM (Ref # 11)	410B0600	3
PIN-DOWEL (Ref # 12)	92042-007	2
PAN-OIL (Ref # 13)	49034-5020	1
PAN-OIL (Ref # 13-1)	49034-5020	1
GASKET,OIL PAN (Ref # 14)	11060-1074	1
BOLT-UPSET (Ref # 15)	112G0625	13
BOLT,FLANGED,6X25 (Ref # 15)	130G0625	13
BOLT 6X35 (Ref # 16)	110R0635	3
BOLT, HEX HEAD, 6X34 (Ref # 16)	92003-159	3
BOLT,HEX HEAD,6X50 (Ref # 17)	110G0650	1
BOLT-FLANGED,6X50 (Ref # 17)	130G0650	1
WASHER PLAIN 6MM (Ref # 18)	410B0600	17
PLUG,OIL DRAIN (Ref # 19)	92001-1183	1
"O" RING,22MM (Ref # 20)	670B2022	1

1973 Z1 PARTS LIST

OIL PUMP/OIL FILTER/OIL PAN

ITEM NAME	PART NUMBER	QUANTITY
PLUG,OIL DRAIN (Ref # 21)	92066-024	1
"O" RING,8MM (Ref # 22)	670B1508	1
BOLT,OIL FILTER (Ref # 23)	92001-1074	1
BOLT,OIL FILTER (Ref # 23)	92001-1074	1
"O" RING,22MM (Ref # 24)	670B2022	1
COVER,OIL FILTER (Ref # 25)	14025-1112	1
"O" RING,105MM (Ref # 26)	671B25105	1
SPRING,OIL FILTER (Ref # 27)	92081-1018	1
WASHER,20.5X30X1.0 (Ref # 28)	92022-1012	1
ELEMENT,OIL FILTER (Ref # 29)	16099-002	1
O RING,0.D=18MM (Ref # 30)	92055-048	2
BOLT (Ref # 31)	92003-095	1
BALL STEEL 3/8' (Ref # 32)	600A1200	1
SPRING (Ref # 33)	92081-109	1
WASHER,LOCK (Ref # 34)	92024-048	1
"O" RING,91MM (Ref # 35)	92055-052	1
GASKET,OIL PUMP (Ref # 36)	16145-001	1
GASKET,OIL PUMP (Ref # 36)	11009-1029	1
SCREW PAN HEAD 6X16 (Ref # 37)	220B0616	4
SCREW PAN HEAD 6X28 (Ref # 38)	220B0628	2