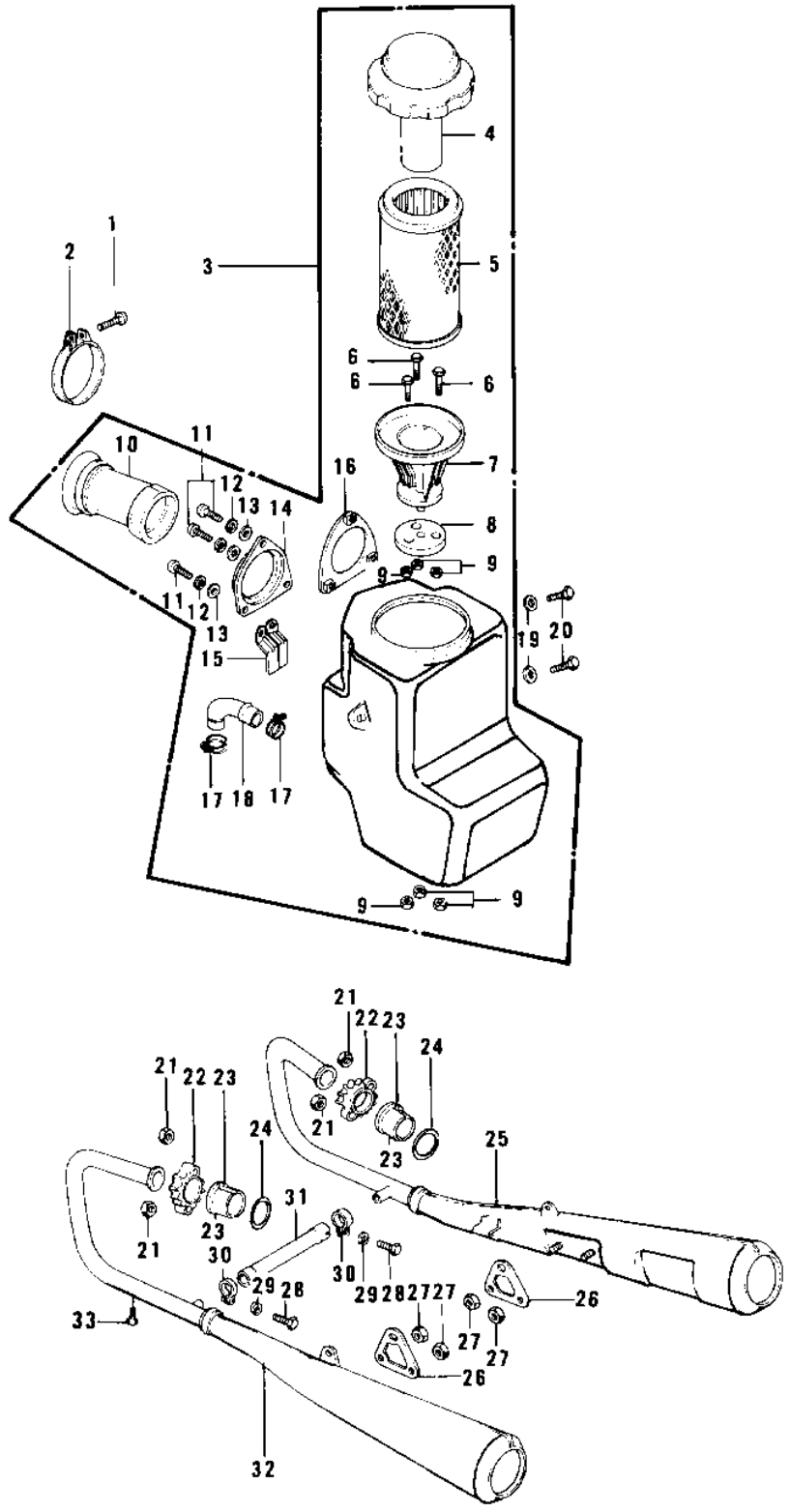


1976 KZ750-B1 PARTS DIAGRAM

AIR CLEANER/MUFFLERS



1976 KZ750-B1 PARTS LIST

AIR CLEANER/MUFFLERS

| ITEM NAME | PART NUMBER | QUANTITY |
|----------------------------------|-------------|----------|
| SCREW-PAN-CROS (Ref # 1) | 220B0535 | 2 |
| CLAMP (Ref # 2) | 92037-171 | 2 |
| AIR CLEANER ASSY (Ref # 3) | 11010-109 | 1 |
| AIR CLEANER ASSY (Ref # 3) | 11010-109 | 1 |
| PIPE,INLET (Ref # 4) | 11015-049 | 1 |
| ELEMENT,AIR CLNR (Ref # 5) | 11013-051 | 1 |
| BOLT-UPSET,6X20 (Ref # 6) | 112G0620 | 3 |
| HOLDER (Ref # 7) | 11033-004 | 1 |
| GASKET (Ref # 8) | 11039-001 | 1 |
| NUT 6MM (Ref # 9) | 311B0600 | 6 |
| CONNECTOR (Ref # 10) | 11026-018 | 2 |
| SCREW PAN HEAD 4X16 (Ref # 11) | 220B0416 | 6 |
| WASHER SPRING 4MM (Ref # 12) | 461F0400 | 6 |
| WASHER PLAIN 4MM (Ref # 13) | 410B0400 | 6 |
| PLATE,INLET PIPE (Ref # 14) | 11040-004 | 1 |
| PLATE,AIR CLNR BODY (Ref # 15) | 11040-006 | 1 |
| PLATE,INLET PIPE (Ref # 16) | 11040-005 | 1 |
| CLAMP,BREATHER HOSE (Ref # 17) | 92037-123 | 2 |
| CLAMP,BREATHER HOSE (Ref # 17) | 92037-192 | 2 |
| TUBE (Ref # 18) | 92059-121 | 2 |
| WASHER 6.5X20X1.6T (Ref # 19) | 92022-125 | 2 |
| BOLT-UPSET,6X16 (Ref # 20) | 112G0616 | 2 |
| NUT,LOCK,8MM (Ref # 21) | 92017-013 | 4 |
| HOLDER,EXHAUST PIPE (Ref # 22) | 18069-060 | 2 |
| COLLAR,EXHAUST PIPE (Ref # 23) | 92027-248 | 4 |
| GASKET,EXHAUST PIPE H (Ref # 24) | 11009-1840 | 2 |
| MUFFLER ASSY,R.H (Ref # 25) | 18001-217 | 1 |
| MUFFLER ASSY,R.H (Ref # 25) | 18001-217 | 1 |
| MUFFLER ASSY,R.H (Ref # 25) | 18001-217 | 1 |

1976 KZ750-B1 PARTS LIST

AIR CLEANER/MUFFLERS

| ITEM NAME | PART NUMBER | QUANTITY |
|----------------------------------|-------------|----------|
| BRACKET,MUFFLER (Ref # 26) | 18024-028 | 2 |
| NUT,LOCK,8MM (Ref # 27) | 92017-013 | 4 |
| BOLT-SMALL-UPSET 8X25 (Ref # 28) | 115G0825 | 2 |
| WASHER SPRING 8MM (Ref # 29) | 461F0800 | 2 |
| CLAMP,PIPE,34.5MM (Ref # 30) | 92037-1219 | 2 |
| PIPE (Ref # 31) | 32032-1752 | 1 |
| MUFFLER ASSY,L.H (Ref # 32) | 18001-216 | 1 |
| MUFFLER ASSY,L.H (Ref # 32) | 18001-216 | 1 |
| MUFFLER ASSY,L.H (Ref # 32) | 18001-216 | 1 |
| BOLT (6X10) (Ref # 33) | 110R0610 | 2 |