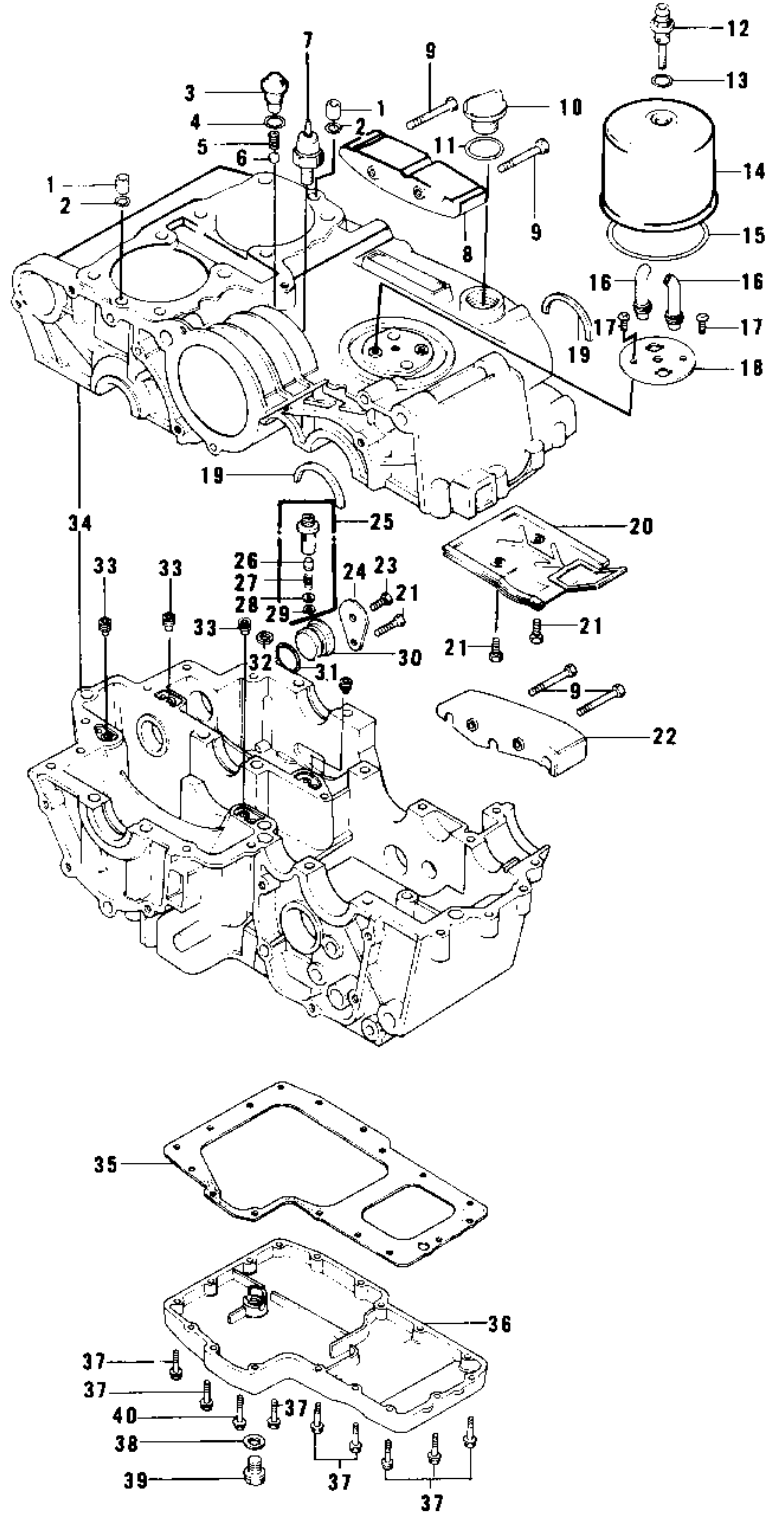


1976 KZ750-B1 PARTS DIAGRAM

CRANKCASE/BREATHER COVER/OIL PAN



1976 KZ750-B1 PARTS LIST

CRANKCASE/BREATHER COVER/OIL PAN

ITEM NAME	PART NUMBER	QUANTITY
PIN,11X14X12.3 (Ref # 1)	92043-1266	2
"O" RING (Ref # 2)	92055-093	2
PLUG,FILTER COVER (Ref # 3)	92066-050	1
"O" RING,18MM (Ref # 4)	670B2018	1
SPRING (Ref # 5)	92081-109	1
BALL STEEL 3/8' (Ref # 6)	600A1200	1
SWITCH,OIL PRESSURE (Ref # 7)	27010-1157	1
SWITCH,OIL PRESSURE (Ref # 7)	27010-1157	1
SLIPPER,PRIMARY CHAIN (Ref # 8)	12053-020	1
BOLT,FLANGED,8X35 (Ref # 9)	92001-1577	4
PLUG,OIL FILLER (Ref # 10)	16115-013	1
"O" RING,31MM (Ref # 11)	92055-049	1
BOLT,BREATHER FITTING (Ref # 12)	92003-098	1
"O" RING,16MM (Ref # 13)	670B2016	1
BODY,BREATHER (Ref # 14)	14070-003	1
BODY,BREATHER (Ref # 14)	14070-007	1
"O" RING,91MM (Ref # 15)	92055-052	1
PIPE,BREATHER PLATE (Ref # 16)	92059-118	2
TUBE,BREATHER (Ref # 16)	92059-140	2
SCREW PAN HEAD 6X18 (Ref # 17)	220B0618	2
PLATE,BREATHER (Ref # 18)	14068-007	1
RING BEARING SETTING (Ref # 19)	14013-004	1
PLATE,BREATHER (Ref # 20)	14068-008	1
BOLT-UPSET 6X14 (Ref # 21)	112B0614	3
SLIPPER,PRIMARY CHAIN (Ref # 22)	12053-021	1
BOLT HEX HEAD 6X8 (Ref # 23)	110B0608	1
SPACER (Ref # 24)	92026-115	1
RELEAF VALVE ASSY (Ref # 25)	16130-1001	1
RELEAF VALVE ASSY (Ref # 25)	16130-1001	1

1976 KZ750-B1 PARTS LIST

CRANKCASE/BREATHER COVER/OIL PAN

ITEM NAME	PART NUMBER	QUANTITY
PISTON,RELEAF VALVE (Ref # 26)	16126-002	1
SPRING,RELEAF VALVE (Ref # 27)	16133-003	1
SPACER,RELEAF VALVE (Ref # 28)	92026-097	1
CIRCLIP, 12MM (Ref # 29)	481J1200	1
PLUG (Ref # 30)	92066-049	1
"O" RING (Ref # 31)	670B3030	1
O RING,0.D=18MM (Ref # 32)	92055-048	1
SCREW,SLOTTED (Ref # 33)	92013-007	4
SET-CRANKCASE (Ref # 34)	14001-5092	1
GASKET,OIL PAN (Ref # 35)	16112-004	1
PAN,OIL (Ref # 36)	16110-004	1
BOLT,FLANGED,6X25 (Ref # 37)	130G0625	16
GASKET,DRIN PLUG (Ref # 38)	92065-097	1
PLUG,OIL DRAIN,12X15 (Ref # 39)	92066-1174	1
BOLT, HEX HEAD, 6X34 (Ref # 40)	92003-159	1