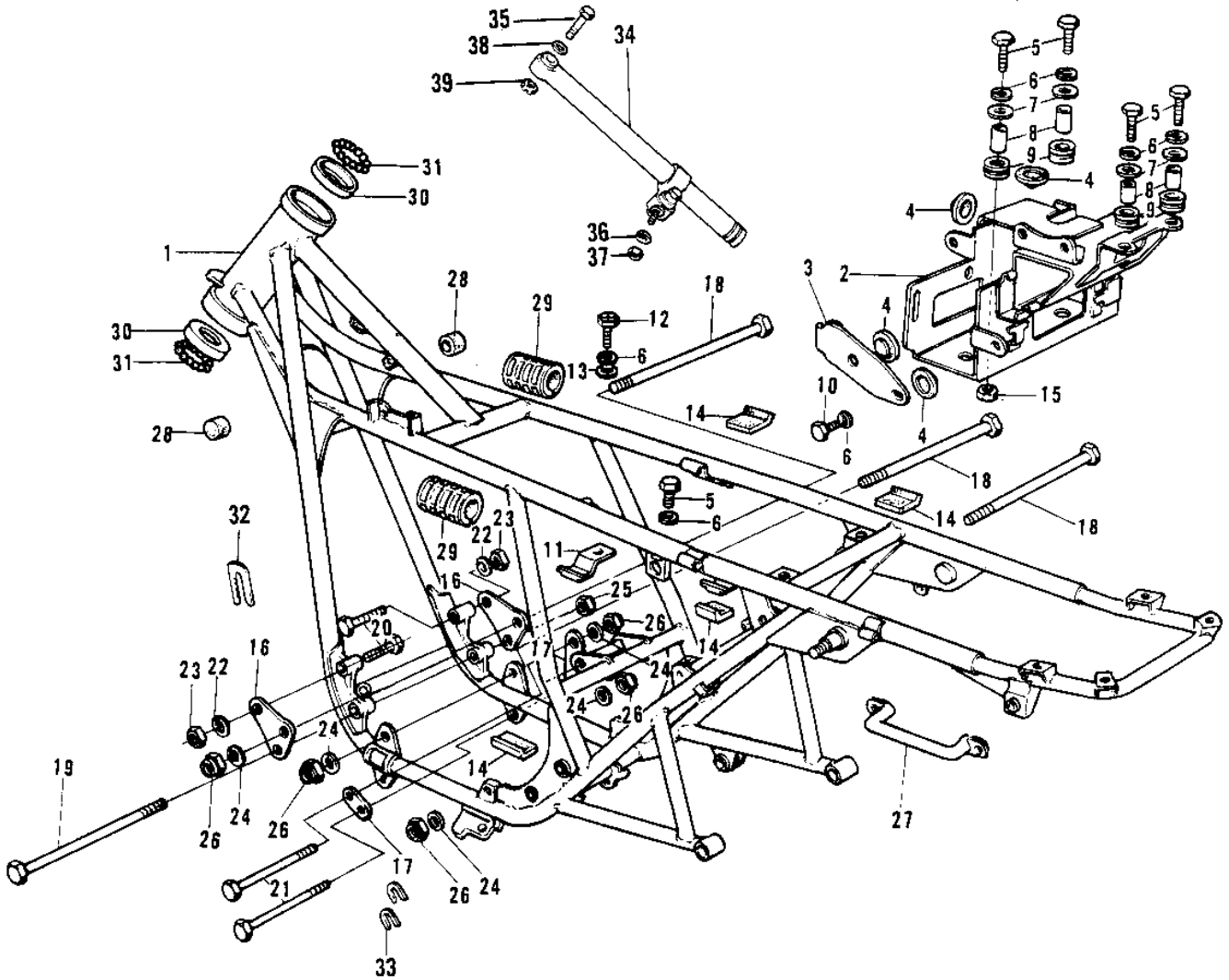


1972 Mach IV PARTS DIAGRAM

FRAME/FRAME FITTINGS (H2/A)



(H2/A)

1972 Mach IV PARTS LIST

FRAME/FRAME FITTINGS (H2/A)

ITEM NAME	PART NUMBER	QUANTITY
FRAME (Ref # 1)	32002-045	1
CASE-BATTERY (Ref # 2)	32099-007	1
BAND-BATTERY (Ref # 3)	32100-014	1
DAMPER RUBBER (Ref # 4)	92075-078	6
BOLT-UPSET,6X20 (Ref # 5)	112G0620	5
WASHER SPRING 6MM (Ref # 6)	461F0600	7
WASHER 6.5X20X1.6T (Ref # 7)	92022-125	4
COLLAR,6.8X10X8.5 (Ref # 8)	92027-129	4
DAMPER RUBBER (Ref # 9)	92075-076	4
BOLT-UPSET 6X14 (Ref # 10)	112B0614	1
BRACKET-SIDE COVER (Ref # 11)	32095-010	1
BOLT-HEX HEAD,6X16 (Ref # 12)	92001-114	1
WASHER PLAIN 6MM (Ref # 13)	411B0600	1
PROTECTOR SIDE COVER (Ref # 14)	31082-005	4
NUT 6MM (Ref # 15)	311B0600	1
PLATE-ENGINE MOUNT (Ref # 16)	32030-021	2
PLATE REAR ENG HOLDER (Ref # 17)	32030-016	2
BOLT-ENG MOUNT,10X274 (Ref # 18)	92091-024	3
BOLT-ENG MOUNT,8X270 (Ref # 19)	92091-021	1
BOLT,HEX HEAD,8X45 (Ref # 20)	92001-1219	2
BOLT,HEX HEAD,10X125 (Ref # 21)	92001-1248	2
WASHER SPRING 8MM (Ref # 22)	461F0800	2
NUT,8MM (Ref # 23)	311B0800	2
WASHER PLAIN 10MM (Ref # 24)	410B1000	5
NUT,LOCK,8MM (Ref # 25)	92015-1124	1
NUT,10MM (Ref # 26)	92015-1429	5
GRIP-FRAME (Ref # 27)	32109-012	1
DAMPER RUBBER (Ref # 28)	92075-044	2
DAMPER RUBBER (Ref # 29)	92075-084	2

1972 Mach IV PARTS LIST

FRAME/FRAME FITTINGS (H2/A)

ITEM NAME	PART NUMBER	QUANTITY
RACE STRNG STEM BERNG (Ref # 30)	92048-006	2
BALL STEEL 1/4' (Ref # 31)	600A0800	38
SHIM-ENG FIT FR,0.5MM (Ref # 32)	92025-053	AR
SHIM-ENG FIT FR,0.8MM (Ref # 32)	92025-054	AR
SHIM-ENG FIT FR,1.0MM (Ref # 32)	92025-055	AR
SHIM-ENG FIT FR,1.6MM (Ref # 32)	92025-056	AR
SHIM-ENG FIT FR,2.0MM (Ref # 32)	92025-057	AR
SHIM-ENG FIT FR,2.3MM (Ref # 32)	92025-058	AR
SHIM-ENG FIT RR,0.5MM (Ref # 33)	92025-048	AR
SHIM-ENG FIT RR,0.8MM (Ref # 33)	92025-049	AR
SHIM-ENG FIT RR,1.0MM (Ref # 33)	92025-050	AR
SHIM-ENG FIT RR,1.6MM (Ref # 33)	92025-051	AR
SHIM-ENG FIT RR,2.0MM (Ref # 33)	92025-052	AR
OIL DAMPER-STEERING (Ref # 34)	46117-006	(1
BOLT-SMALL-UPSET,8X30 (Ref # 35)	115G0830	(1
WASHER SPRING 8MM (Ref # 36)	461F0800	(1
NUT,LOCK,8MM (Ref # 37)	92015-1124	(1
WASHER PLAIN 8MM (Ref # 38)	411B0800	(1
NUT,8MM (Ref # 39)	311B0800	(1