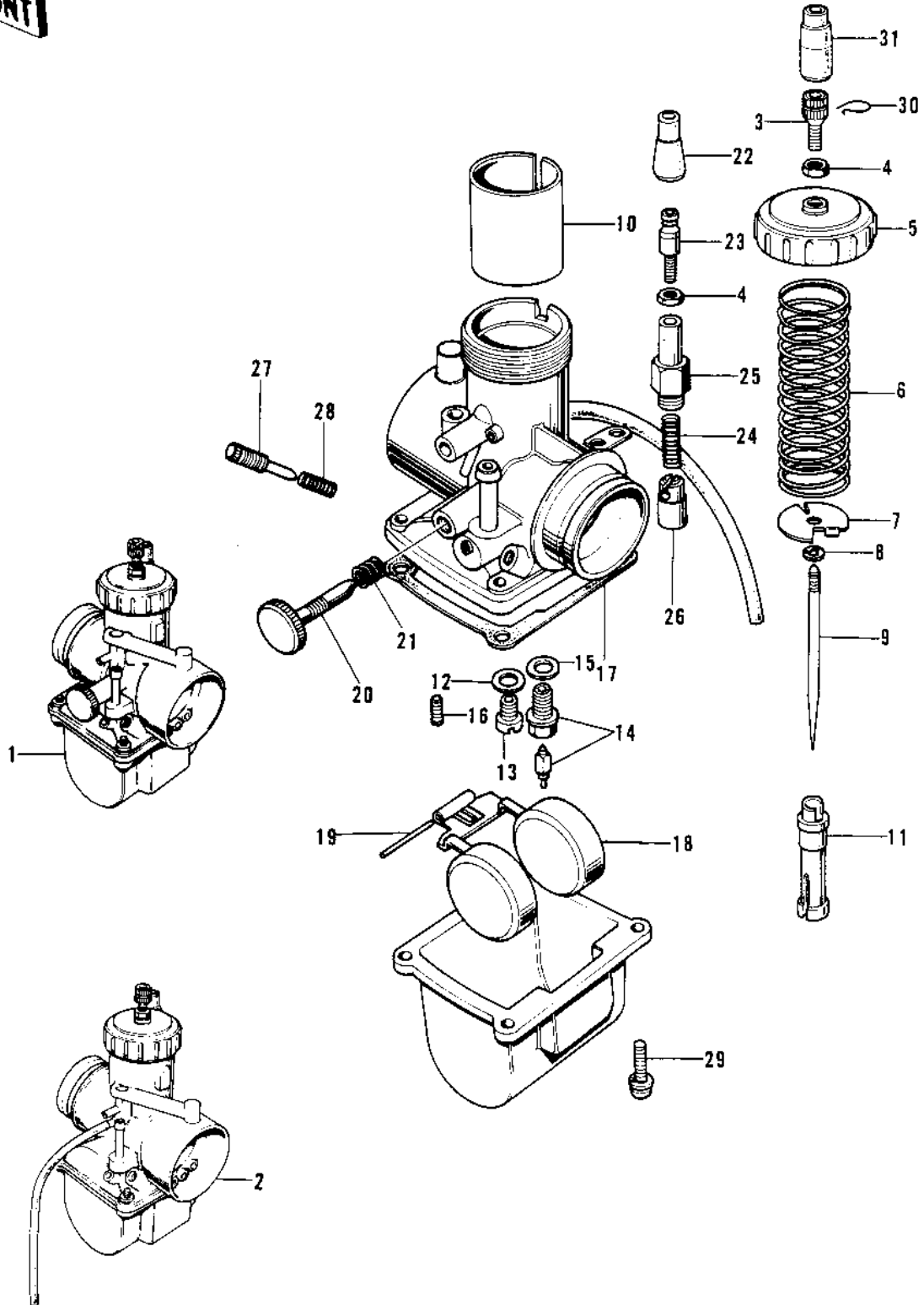


# 1972 Mach IV PARTS DIAGRAM

CARBURETORS



# 1972 Mach IV PARTS LIST

## CARBURETORS

ITEM NAME	PART NUMBER	QUANTITY
CARBURETOR ASY,L.H&CN (Ref # 1)	16001-192	2
CARBURETOR ASY,LH&CNT (Ref # 1)	16001-214	2
CARBURETOR ASSY,R.H (Ref # 2)	16001-193	1
CARBURETOR ASSY,R.H (Ref # 2)	16001-216	1
CABLE ADJUSTER (Ref # 3)	16002-011	3
NUT-CABLE ADJUST LOCK (Ref # 4)	16003-006	3
CAP-MIXING CHAMBER (Ref # 5)	16004-018	3
SPRING,THROTTLE VALVE (Ref # 6)	16006-021	3
SPRING SEAT,THRTL VL (Ref # 7)	16007-021	3
CIRCLIP (Ref # 8)	16008-010	3
JET NEEDLE,5EJ15 (Ref # 9)	16009-054	3
VALVE,THROTTLE CA2.5 (Ref # 10)	16025-058	3
NEEDLE JET,0-6 (Ref # 11)	16017-063	3
WASHER MAIN JET (Ref # 12)	16034-001	3
MAIN JET,#A97.5R (Ref # 13)	92063-1035	3
MAIN JET,#A102.5 (Ref # 13)	92063-1028	3
MAIN JET NO 92.5R (Ref # 13)	92063-068	(3
MAIN JET,#A95 (Ref # 13)	92063-1031	(3
MAIN JET,#A100 (Ref # 13)	92063-1033	(3
MAIN JET,#A105R (Ref # 13)	92063-1042	(3
JET-MAIN NO 107.5R (Ref # 13)	92063-073	(3
FLOAT VALVE ASSY (Ref # 14)	16030-005	3
WASHER FLOAT VLV SEAT (Ref # 15)	16029-004	3
JET-PILOT NO 35 (Ref # 16)	92064-023	3
JET-PILOT NO 40 (Ref # 16)	92064-024	3
GASKET FLOAT CHAMBER (Ref # 17)	16019-008	3
FLOAT (Ref # 18)	16031-023	3
FLOAT PIN (Ref # 19)	16032-003	3
SCREW-THROTTLE STOP (Ref # 20)	16021-015	3

# 1972 Mach IV PARTS LIST

## CARBURETORS

ITEM NAME	PART NUMBER	QUANTITY
SPRING THR STOP SCREW (Ref # 21)	16022-005	3
CAP,CARBURETOR (Ref # 22)	16036-007	3
CABLE ADJUSTER (Ref # 23)	16002-002	3
SPRING-PLUNGER (Ref # 24)	16013-003	3
CAP STARTER PLUNGER (Ref # 25)	16012-008	3
PLUNGER-ENRICHNER (Ref # 26)	16016-002	3
SCREW (Ref # 27)	16014-006	3
SPRING-THR STOP SCREW (Ref # 28)	16022-007	3
SCREW FLOAT CHAMBER (Ref # 29)	16033-009	12
CIRCLIP (Ref # 30)	92036-018	3
CAP-CABLE ADJUSTER (Ref # 31)	16036-008	3