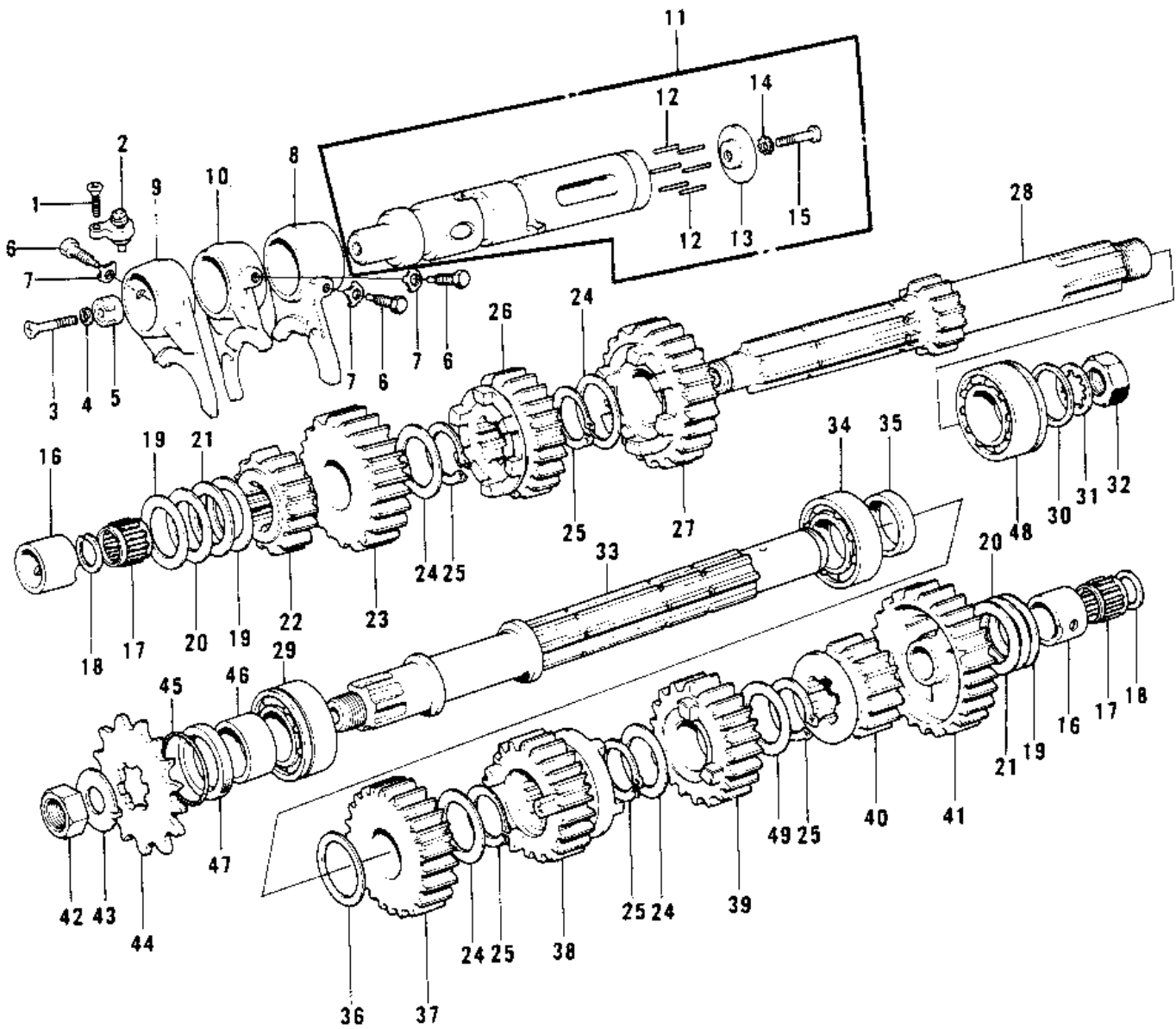


# 1974 Mach IV PARTS DIAGRAM

## TRANSMISSION/CHANGE DRUM



# 1974 Mach IV PARTS LIST

## TRANSMISSION/CHANGE DRUM

ITEM NAME	PART NUMBER	QUANTITY
SCREW CNTSNK HD 6X16 (Ref # 1)	221B0616	
SWITCH NEUTRAL (Ref # 2)	13151-012	
SCREW PAN HEAD 6X25 (Ref # 3)	220B0625	
WASHER SPRING 6MM (Ref # 4)	461F0600	
ROTOR NEUTRAL SWITCH (Ref # 5)	13147-001	
PIN SELECT FORK GUIDE (Ref # 6)	92043-016	
WASHER LOCK 10MM (Ref # 7)	92031-001	
FORK-SELECTOR,LOW (Ref # 8)	13140-047	
FORK,SELECTOR,2ND&3RD (Ref # 9)	13140-065	
FORK-SELECTOR,TOP (Ref # 10)	13140-048	
DRUM ASSY-GEAR CHANGE (Ref # 11)	13239-007	
PIN GEAR CHANGE DRUM (Ref # 12)	92042-014	
PLATE CHANGE DRUM PIN (Ref # 13)	13142-004	
WASHER LOCK 6MM (Ref # 14)	464H0600	
SCREW PAN HEAD 6X14 (Ref # 15)	220B0614	
BUSH (Ref # 16)	92028-073	
BEARING NEEDLE (Ref # 17)	92046-010	
CIRCLIP (Ref # 18)	92033-015	
WASHER THRUST (Ref # 19)	92022-112	
SHIM-KICK SHAFT (Ref # 20)	92022-144	
WASHER THRUST (Ref # 21)	92022-113	
2ND GEAR-DRIVE SHAFT (Ref # 22)	13130-027	
4TH GEAR-DRIVE SHAFT (Ref # 23)	13134-011	
WASHER 25MM (Ref # 24)	92022-076	
WASHER PLAIN (Ref # 24)	92022-161	
CIRCLIP (Ref # 25)	92033-026	
CIRCLIP (Ref # 25)	92033-026	
3RD GEAR-DRIVE SHAFT (Ref # 26)	13132-025	
TOP GEAR-DRIVE SHAFT (Ref # 27)	13136-035	

# 1974 Mach IV PARTS LIST

## TRANSMISSION/CHANGE DRUM

ITEM NAME	PART NUMBER	QUANTITY
SHAFT-DRIVE (Ref # 28)	13127-033	
BEARING BALL 6205NX3 (Ref # 29)	92045-010	
WASHER THRUST (Ref # 30)	92022-114	
WASHER LOCK 20MM (Ref # 31)	463G2000	
NUT,20MM (Ref # 32)	92016-043	
SHAFT OUTPUT (Ref # 33)	13128-020	
BEARING BALL #6005 (Ref # 34)	601B6005	
COLLAR (Ref # 35)	92027-052	
WASHER-THRUST (Ref # 36)	92022-225	
2ND GEAR-OUTPUT SHAFT (Ref # 37)	13131-033	
4TH GEAR-OUTPUT SHAFT (Ref # 38)	13135-015	
3RD GEAR-OUTPUT SHAFT (Ref # 39)	13133-024	
TOP GEAR-OUTPUT SHAFT (Ref # 40)	13137-019	
LOW GEAR-OUTPUT SHAFT (Ref # 41)	13129-036	
NUT 18MM (Ref # 42)	92015-019	
WASHER,LOCK,18MM (Ref # 43)	92024-067	
ENGINE SPROCKET 15T (Ref # 44)	13144-030	
ENG SPROCKET 16T (OPT (Ref # 44)	13144-036	
ENGINE SPROCKET 14T (Ref # 44)	13144-035	
"O" RING (Ref # 45)	92055-035	
SPACER-ENG SPROCKET (Ref # 46)	92026-1024	
OIL SEAL SC325210 (Ref # 47)	92050-024	
BALL BEARING 6305N (Ref # 48)	92045-020	
WASHER-LOCK (Ref # 49)	92024-033	